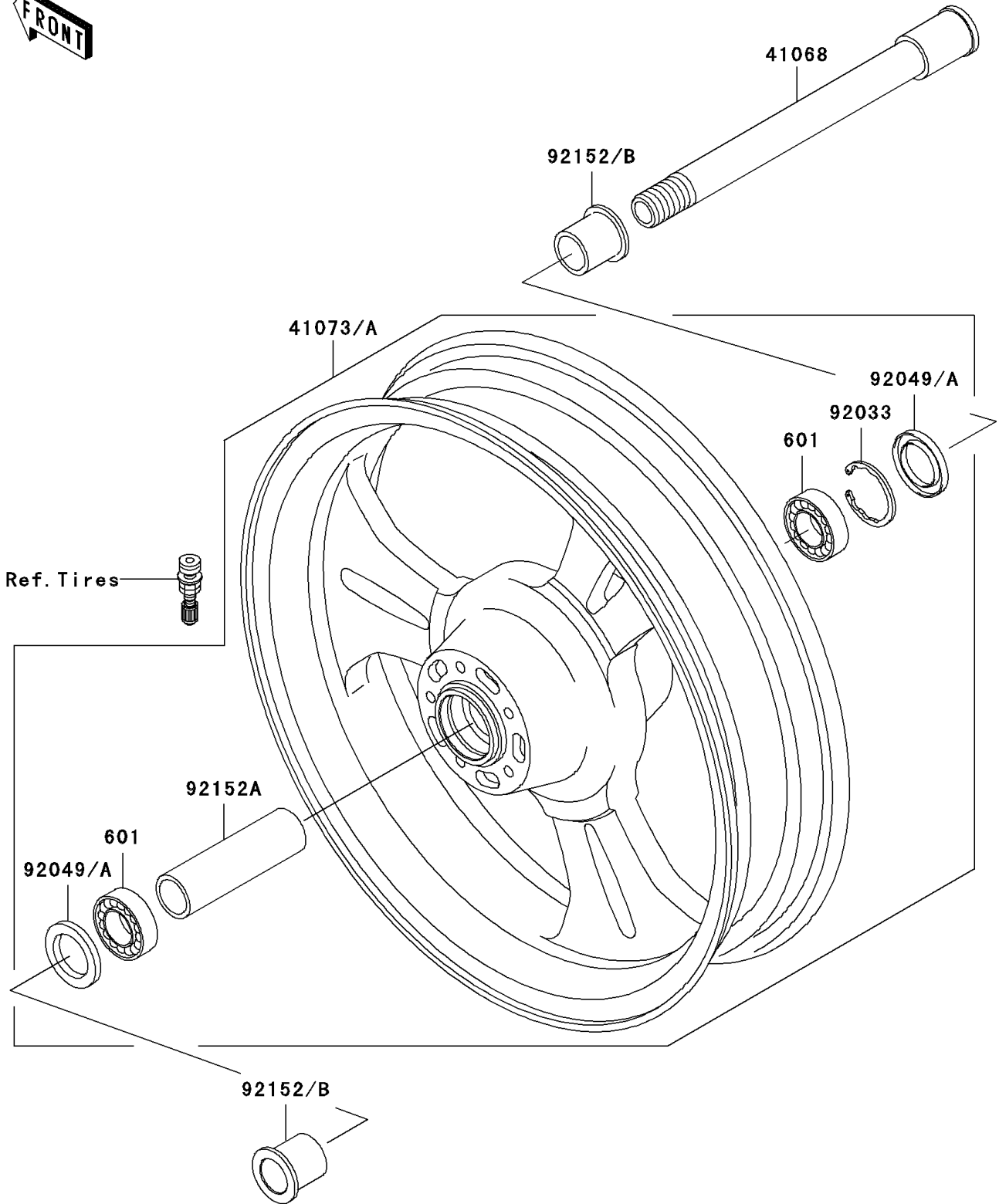


2005 Vulcan 1600 Mean Streak PARTS DIAGRAM

Front Wheel



F2230



2005 Vulcan 1600 Mean Streak PARTS LIST

Front Wheel

ITEM NAME	PART NUMBER	QUANTITY
BEARING-BALL,#6005UU (Ref # 601)	601B6005UU	2
AXLE,FR (Ref # 41068)	41068-1458	1
WHEEL-ASSY,FR,P.SILVER (Ref # 41073A)	41073-0041-496	1
RING-SNAP,47MM (Ref # 92033)	92033-1042	1
SEAL-OIL,BJN-C2 32X47X5 (Ref # 92049)	92049-0050	2
COLLAR,FR AXLE,L=34 (Ref # 92152)	92152-0178	2
COLLAR,FR HUB,L=109 (Ref # 92152A)	92152-1308	1