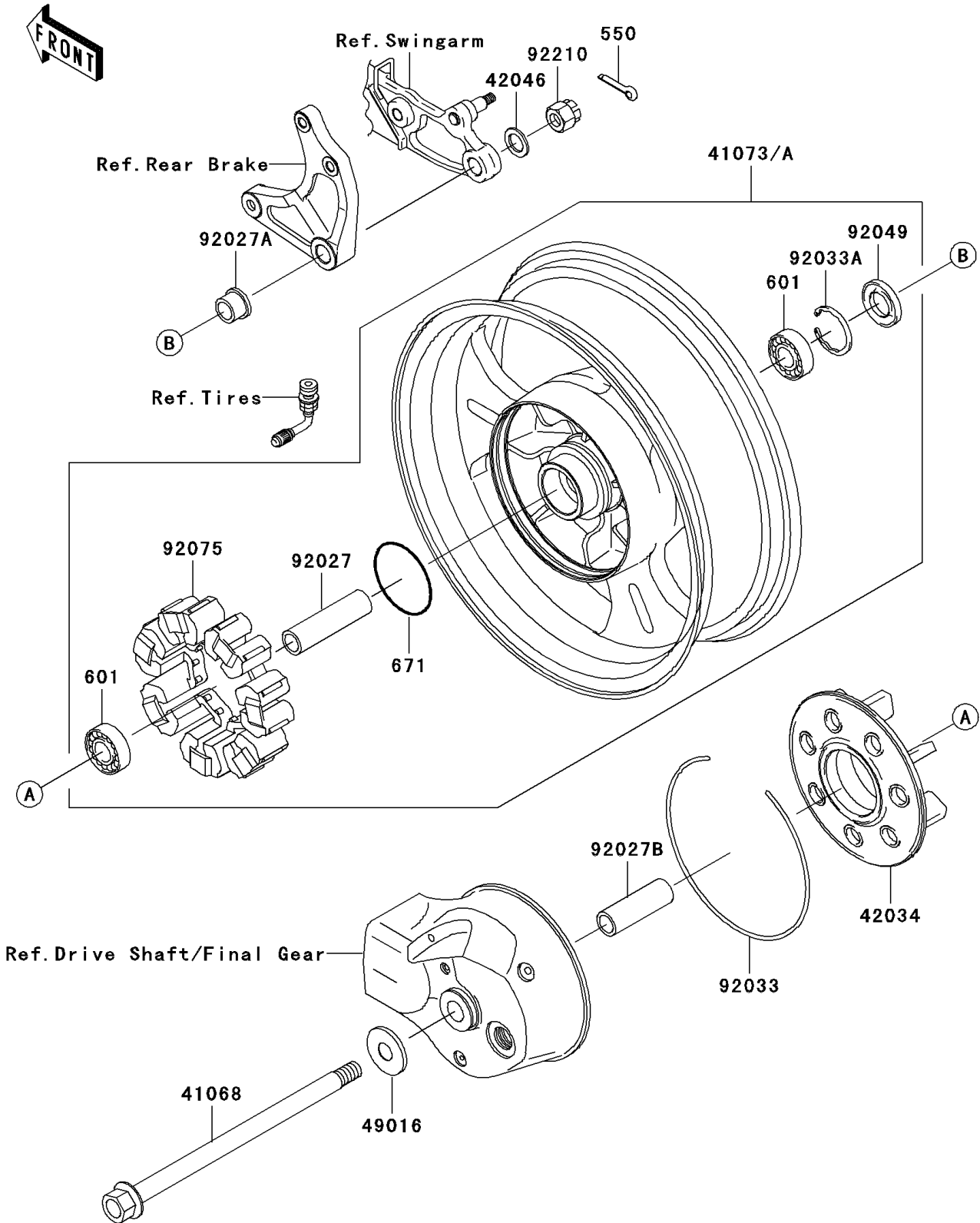


2005 Vulcan 1600 Mean Streak PARTS DIAGRAM

Rear Wheel/Chain

F2240



2005 Vulcan 1600 Mean Streak PARTS LIST

Rear Wheel/Chain

| ITEM NAME | PART NUMBER | QUANTITY |
|---------------------------------------|----------------|----------|
| PIN-COTTER,4.0X35 (Ref # 550) | 550D4035 | 1 |
| BEARING-BALL,#6304UUC3 (Ref # 601) | 601B6304UU | 2 |
| O RING,80MM (Ref # 671) | 671B2580 | 1 |
| AXLE,RR (Ref # 41068) | 41068-1410 | 1 |
| WHEEL-ASSY,RR,P.SILVER (Ref # 41073A) | 41073-0049-496 | 1 |
| COUPLING,RR HUB (Ref # 42034) | 42034-0002 | 1 |
| WASHER,21X33X2.6 (Ref # 42046) | 42046-003 | 1 |
| COVER-SEAL (Ref # 49016) | 49016-1019 | 1 |
| COLLAR,20.2X28X105.5 (Ref # 92027) | 92027-1901 | 1 |
| COLLAR,RR AXLE,L=21.5 (Ref # 92027A) | 92027-1902 | 1 |
| COLLAR,20.2X28X86 (Ref # 92027B) | 92027-1969 | 1 |
| RING-SNAP,220MM (Ref # 92033) | 92033-0012 | 1 |
| RING-SNAP,52MM (Ref # 92033A) | 92033-1043 | 1 |
| SEAL-OIL,28X52X5 (Ref # 92049) | 92049-1061 | 1 |
| DAMPER,SHOCK,RR HUB (Ref # 92075) | 92075-1121 | 1 |
| NUT,CASTLE,18MM (Ref # 92210) | 92210-1134 | 1 |