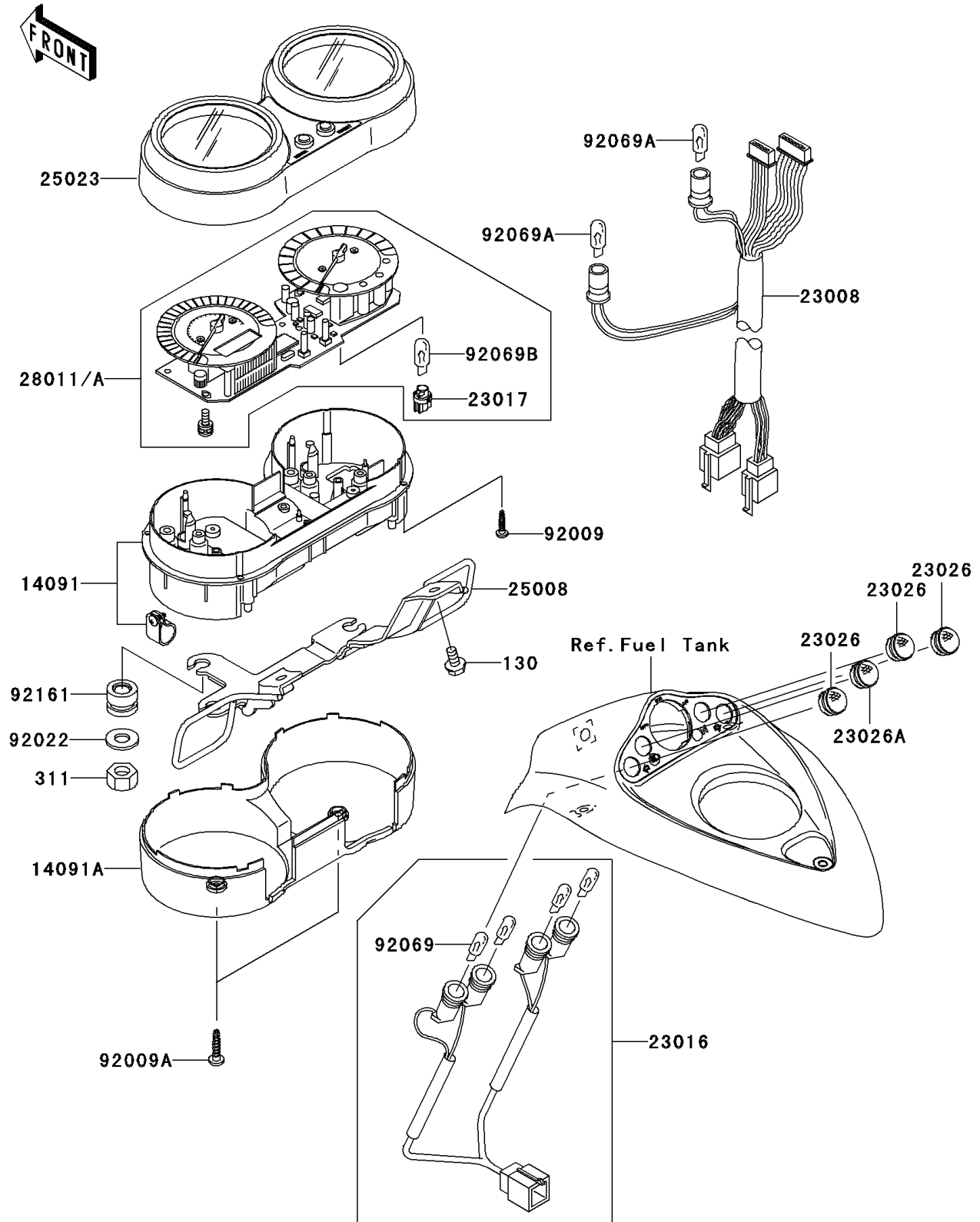


2005 Vulcan 1600 Mean Streak PARTS DIAGRAM

Meter(s)

F2530



2005 Vulcan 1600 Mean Streak PARTS LIST

Meter(s)

ITEM NAME	PART NUMBER	QUANTITY
BOLT-FLANGED (Ref # 130)	130J0612	2
NUT-HEX (Ref # 311)	311B0500	3
COVER,METER HOUSING (Ref # 14091)	14091-1370	1
COVER,METER,LWR (Ref # 14091A)	14091-1371	1
SOCKET-ASSY,METER (Ref # 23008)	23008-1655	1
LAMP-ASSY (Ref # 23016)	23016-1192	1
SOCKET (Ref # 23017)	23017-1064	1
LENS,GREEN (Ref # 23026)	23026-1171	3
LENS,BLUE (Ref # 23026A)	23026-1172	1
BRACKET-METER (Ref # 25008)	25008-1230	1
COVER-METER CASE,UPP (Ref # 25023)	25023-1261	1
SCREW,TAPPING,3X14 (Ref # 92009)	92009-1592	5
SCREW,TAPPING,4X16 (Ref # 92009A)	92009-1601	2
WASHER,5.2X16X1.2 (Ref # 92022)	92022-263	3
BULB,12V 3.4W,T10 (Ref # 92069)	92069-1007	4
BULB,12V 1.7W,T10 (Ref # 92069A)	92069-1059	2
BULB,12V 3W,T6.5 (Ref # 92069B)	92069-1068	1
DAMPER,METER BRACKET (Ref # 92161)	92161-1247	3
METER,SPEED&TACHO,MPH (Ref # 28011)	28011-1224	1
METER,SPEED&TACHO,KPH (Ref # 28011A)	28011-1225	1