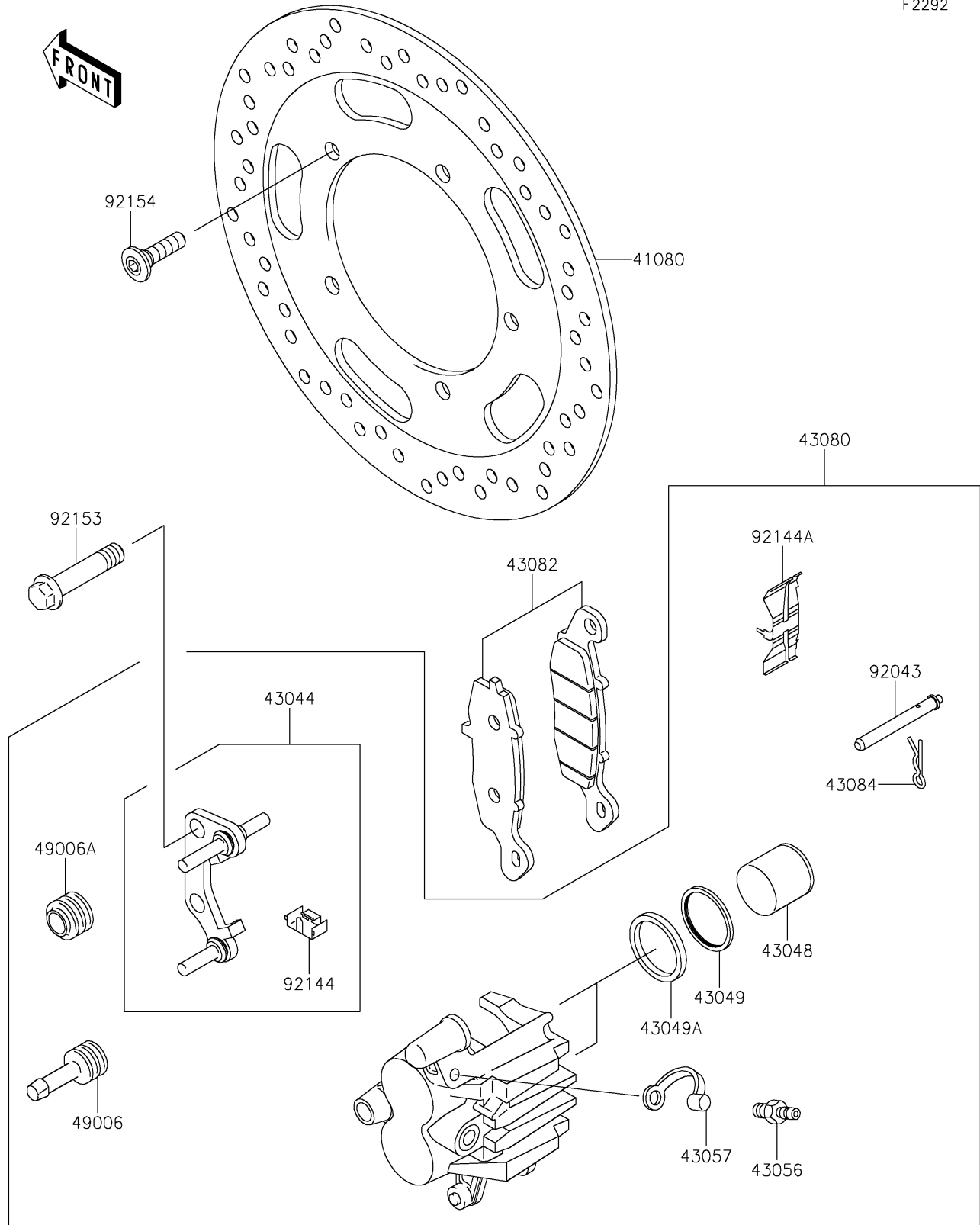


2021 VULCAN[®] 900 CUSTOM PARTS DIAGRAM

Front Brake

F2292



2021 VULCAN® 900 CUSTOM PARTS LIST

Front Brake

ITEM NAME	PART NUMBER	QUANTITY
DISC,FR,BLACK (Ref # 41080)	41080-0095-11H	1
HOLDER-COMP-CALIPER,FR,LH (Ref # 43044)	43044-1115	1
PISTON-CALIPER (Ref # 43048)	43048-1073	2
PACKING (Ref # 43049)	43049-1068	2
PACKING,PISTON SEAL (Ref # 43049A)	43049-1092	2
BREATHER-BRAKE (Ref # 43056)	43056-0007	1
CAP-BREATHER (Ref # 43057)	43057-003	1
CALIPER-SUB-ASSY,FR,LH,BLACK (Ref # 43080)	43080-5017-DJ	1
PAD-ASSY-BRAKE,LH (Ref # 43082)	43082-0009	1
CLAMP,PAD (Ref # 43084)	43084-003	1
BOOT,CALIPER (Ref # 49006)	49006-1054	1
BOOT,CALIPER (Ref # 49006A)	49006-1095	1
PIN,PAD (Ref # 92043)	92043-1489	1
SPRING,STOPPER (Ref # 92144)	92144-1831	1
SPRING,PAD,LH (Ref # 92144A)	92144-1832	1
BOLT,FLANGED,10X47 (Ref # 92153)	92153-0740	2
BOLT,SOCKET,8X30 (Ref # 92154)	92154-1865	5