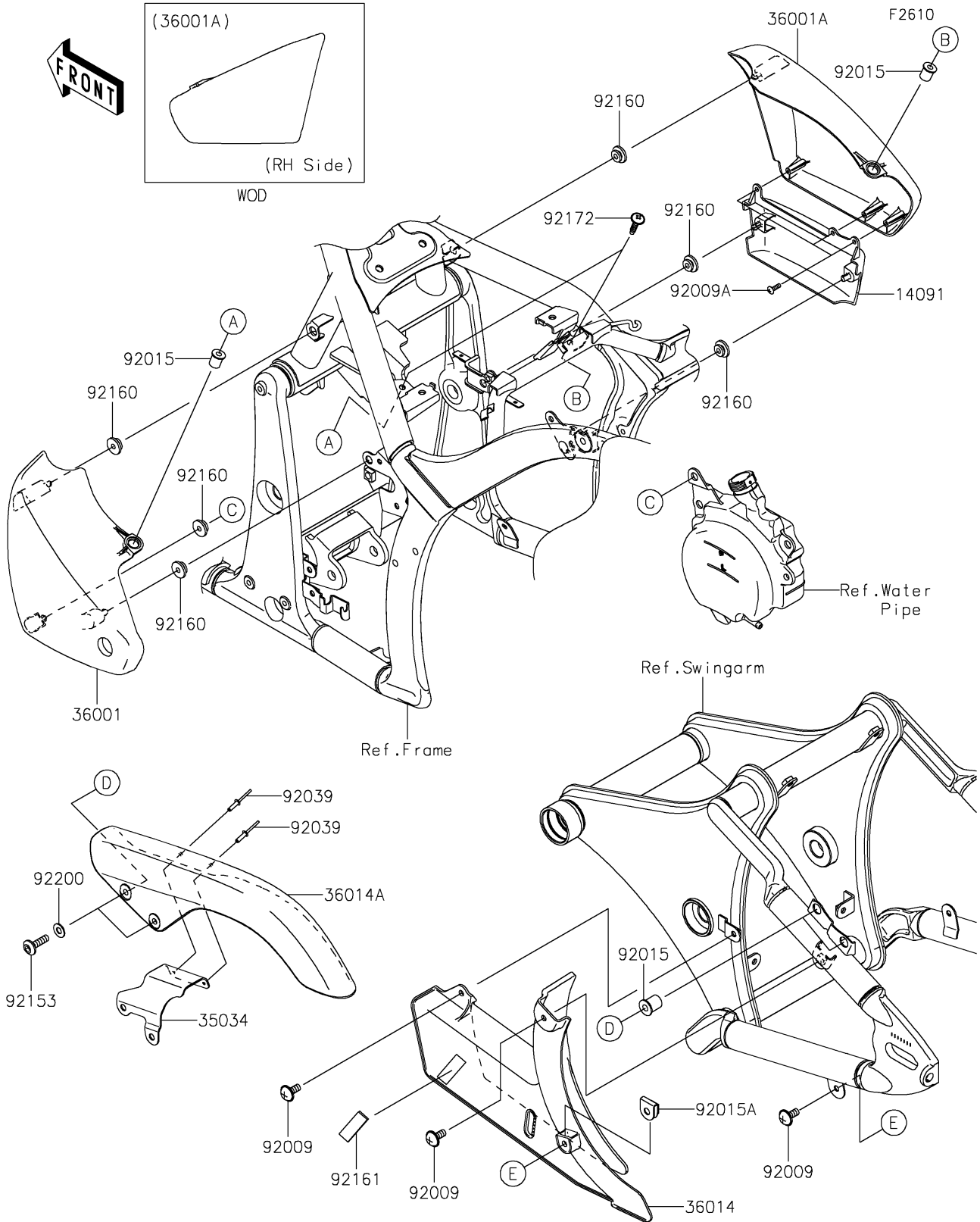


# 2021 Vulcan 900 Custom PARTS DIAGRAM

## Side Covers/Chain Cover



# 2021 Vulcan 900 Custom PARTS LIST

Side Covers/Chain Cover

ITEM NAME	PART NUMBER	QUANTITY
-----------	-------------	----------