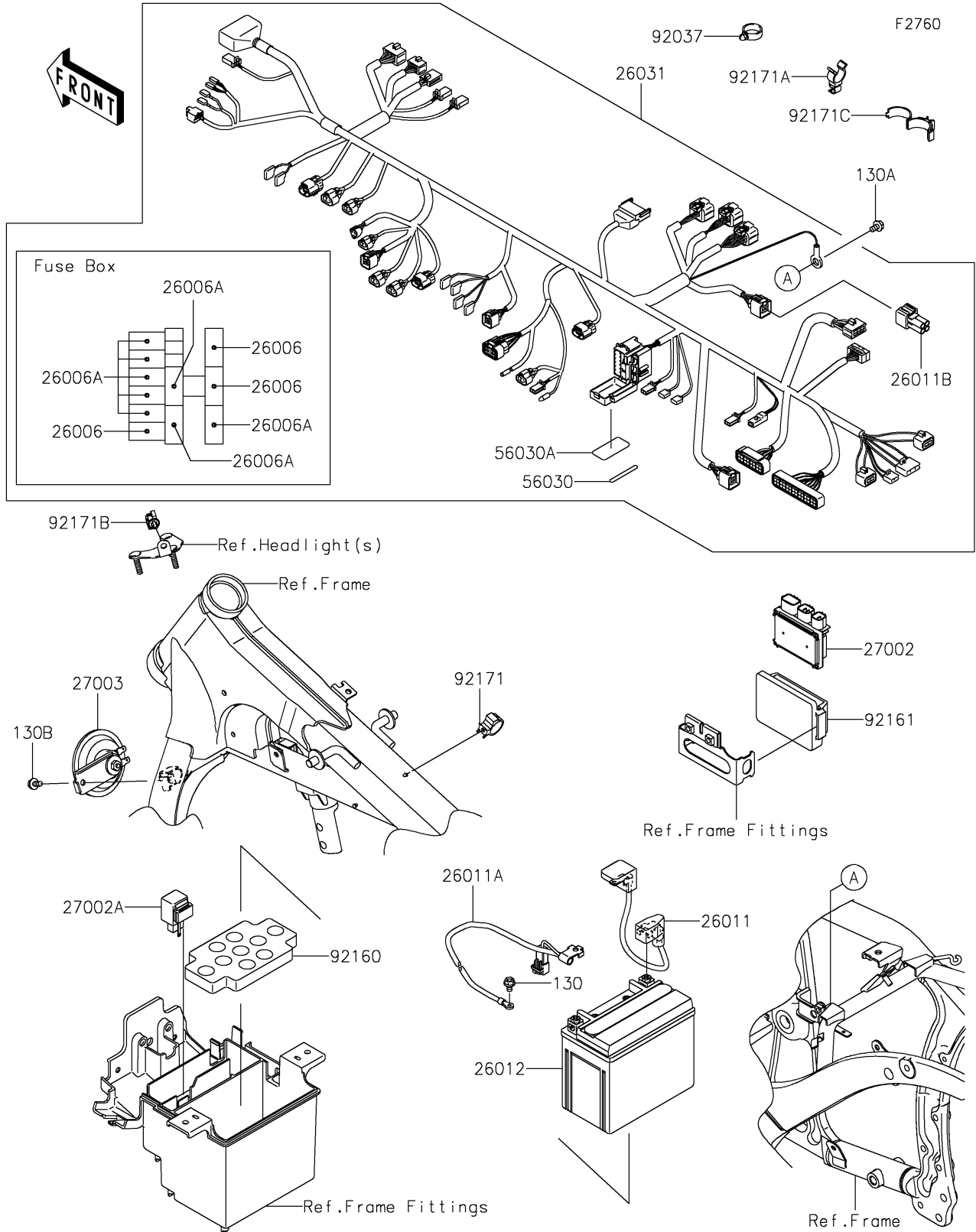


# 2021 VULCAN® 900 CUSTOM PARTS DIAGRAM

## Chassis Electrical Equipment



# 2021 VULCAN® 900 CUSTOM PARTS LIST

Chassis Electrical Equipment

ITEM NAME	PART NUMBER	QUANTITY
-----------	-------------	----------