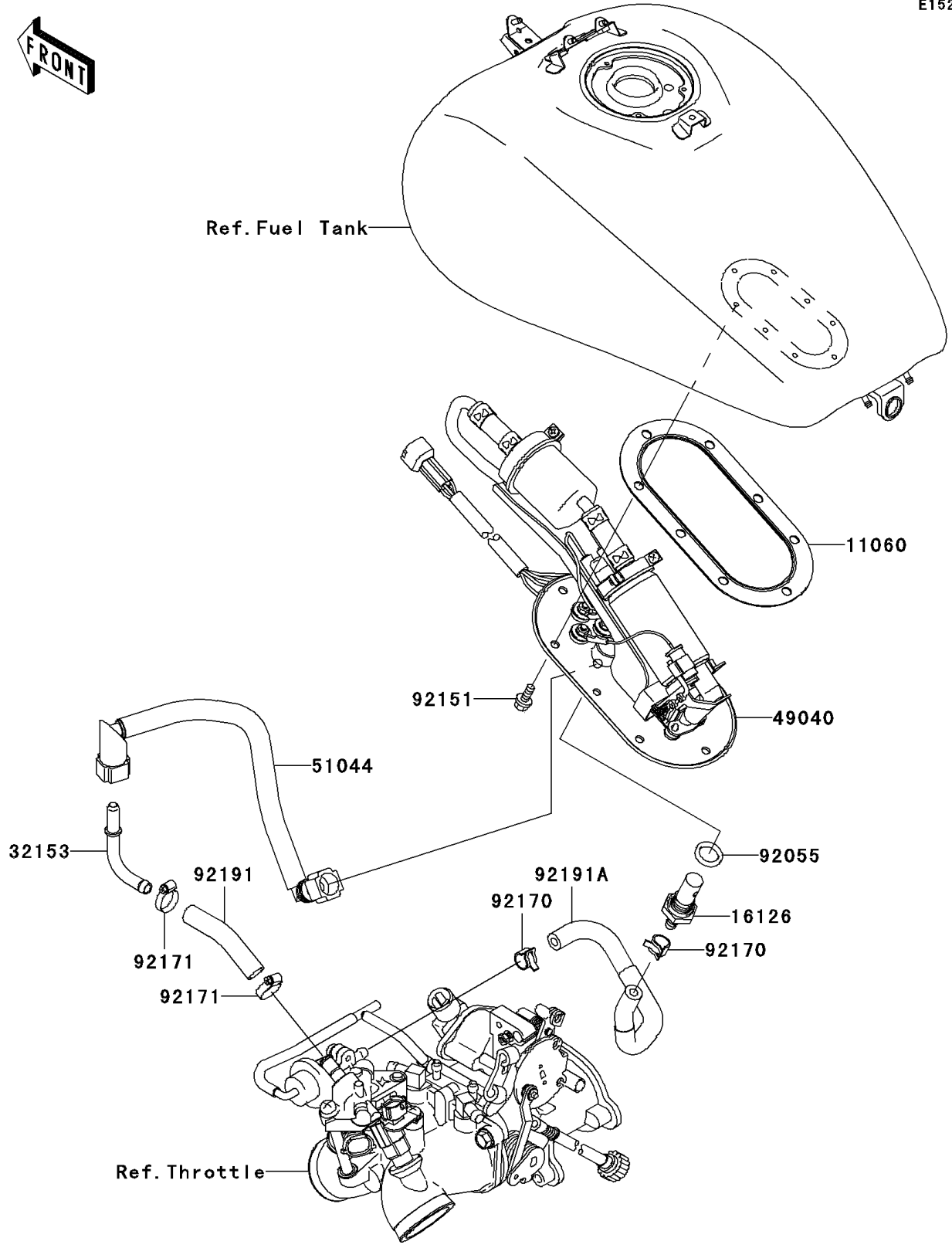


# 2006 Vulcan 1600 Mean Streak PARTS DIAGRAM

Fuel Pump

E1520



## 2006 Vulcan 1600 Mean Streak PARTS LIST

### Fuel Pump

ITEM NAME	PART NUMBER	QUANTITY
GASKET (Ref # 11060)	11060-1929	1
VALVE (Ref # 16126)	16126-1418	1
PIPE (Ref # 32153)	32153-1414	1
PUMP-FUEL (Ref # 49040)	49040-1074	1
TUBE-ASSY (Ref # 51044)	51044-0010	1
RING-O,14.8X2.4 (Ref # 92055)	92055-1667	1
BOLT,5X12 (Ref # 92151)	92151-1599	8
CLAMP (Ref # 92170)	92170-1492	2
CLAMP (Ref # 92171)	92171-1274	2
TUBE (Ref # 92191)	92191-1536	1
TUBE (Ref # 92191A)	92191-1557	1