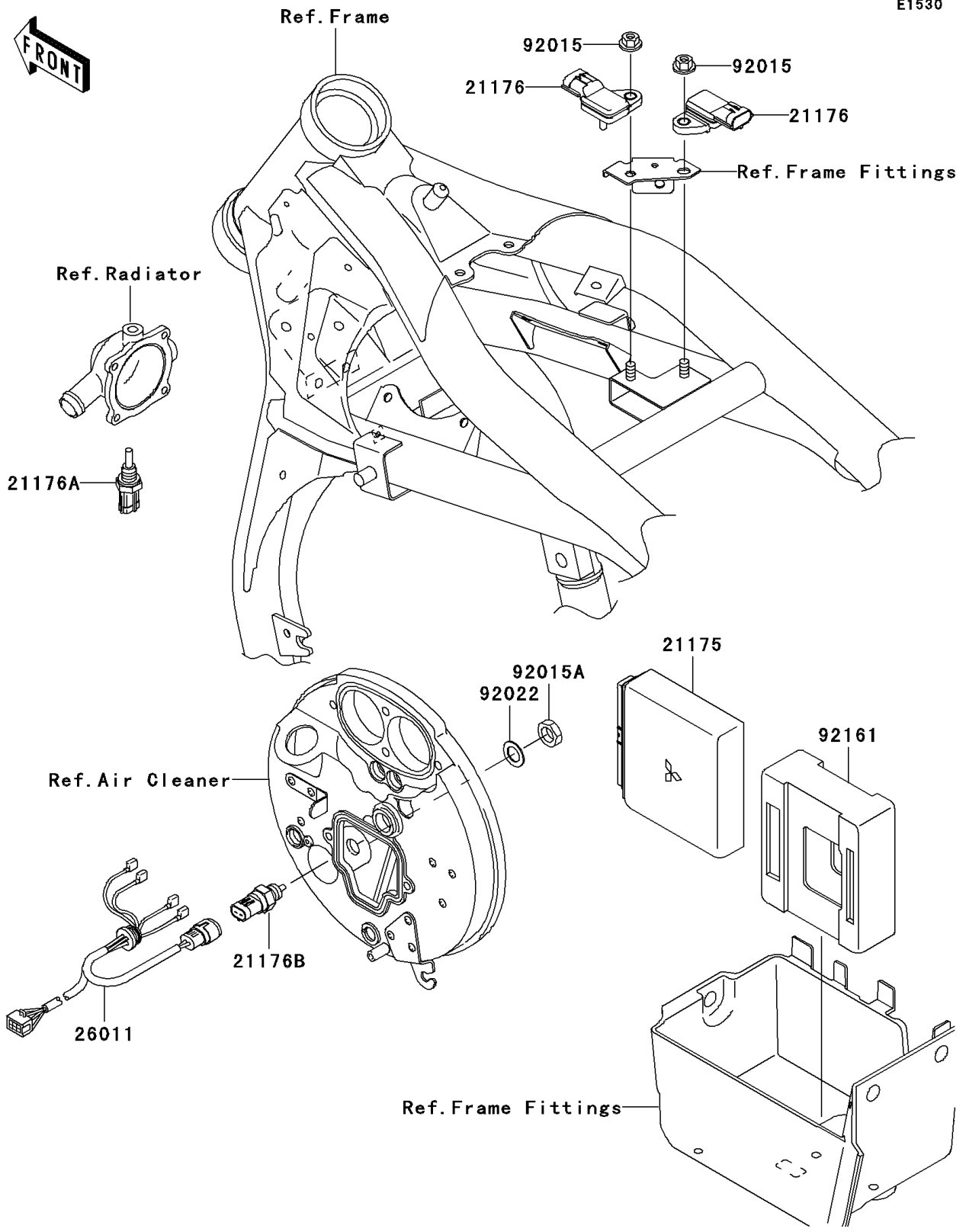


2006 Vulcan 1600 Mean Streak PARTS DIAGRAM

Fuel Injection

E1530



2006 Vulcan 1600 Mean Streak PARTS LIST

Fuel Injection

ITEM NAME	PART NUMBER	QUANTITY
CONTROL UNIT-ELECTRONIC (Ref # 21175)	21175-0011	1
SENSOR (Ref # 21176)	21176-0058	2
SENSOR,WATER TEMPERATURE (Ref # 21176A)	21176-1085	1
SENSOR,AIR TEMPERATURE (Ref # 21176B)	21176-1086	1
WIRE-LEAD (Ref # 26011)	26011-1776	1
NUT,6MM (Ref # 92015)	92015-1386	2
NUT,12MM (Ref # 92015A)	92015-1395	1
WASHER,12.3X20X0.5 (Ref # 92022)	92022-269	1
DAMPER (Ref # 92161)	92161-1210	1