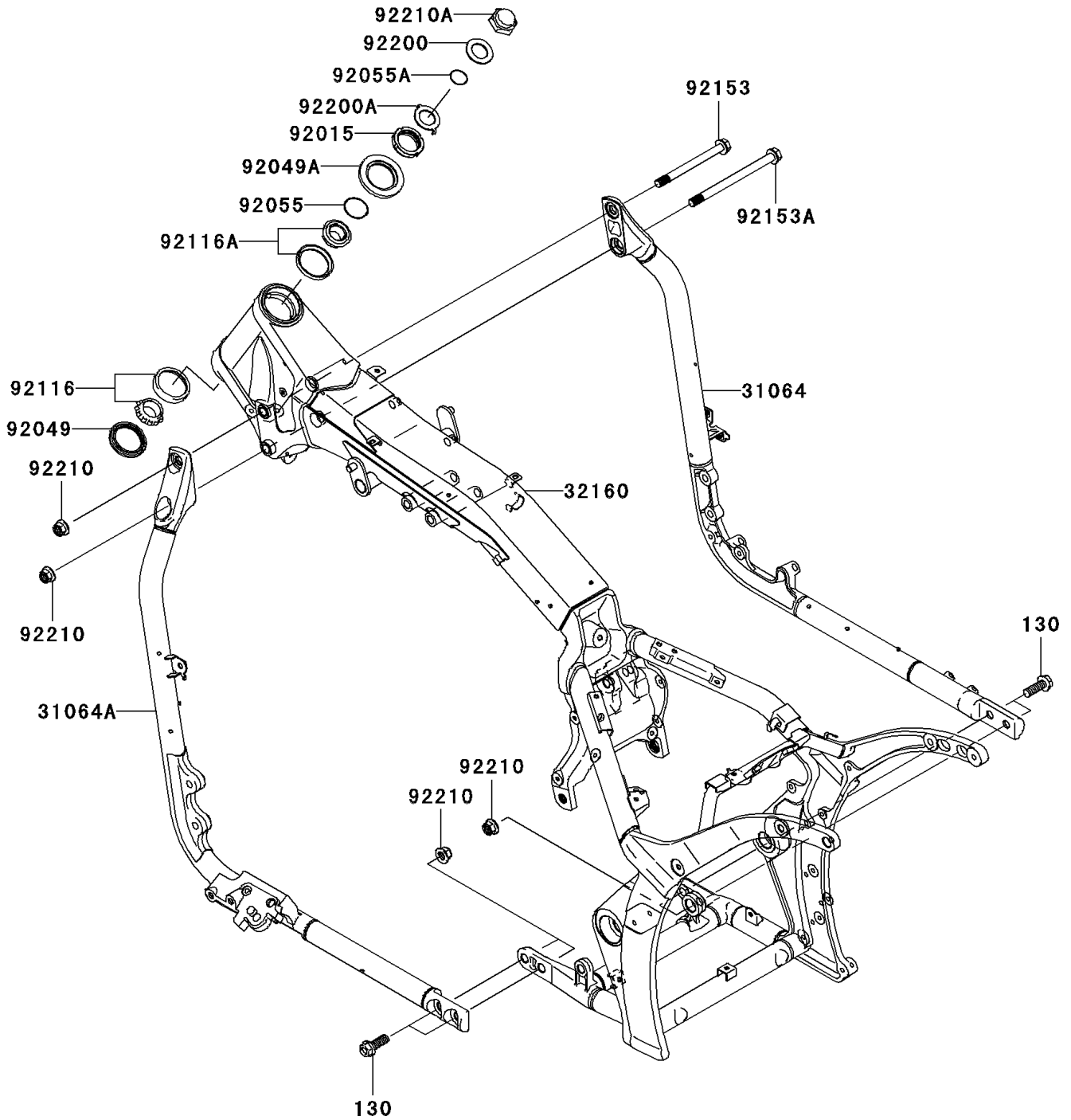


2009 Vulcan® 2000 PARTS DIAGRAM

Frame

F2120



2009 Vulcan® 2000 PARTS LIST

Frame

ITEM NAME	PART NUMBER	QUANTITY
BOLT-FLANGED,12X35 (Ref # 130)	130CB1235	4
PIPE-COMP,DOWNTUBE,RH,BLACK (Ref # 31064)	31064-0120-18R	1
PIPE-COMP,DOWNTUBE,LH,BLACK (Ref # 31064A)	31064-0147-18R	1
FRAME-COMP,F.S.BLACK (Ref # 32160)	32160-0295-18R	1
NUT,STEERING STEM,35MM (Ref # 92015)	92015-1848	1
SEAL-OIL,XMHE 43 55 4J (Ref # 92049)	92049-1383	1
SEAL-OIL,MX043N2 (Ref # 92049A)	92049-1483	1
RING-O,34.5X2.0 (Ref # 92055)	92055-1452	1
RING-O,ID=24.5 (Ref # 92055A)	92055-1459	1
BEARING-ROLLER,32907JR-2 (Ref # 92116)	92116-1072	1
BEARING-ROLLER,32907JR-3 (Ref # 92116A)	92116-1074	1
BOLT,FLANGED,12X132 (Ref # 92153)	92153-0598	1
BOLT,FLANGED,12X168 (Ref # 92153A)	92153-0599	1
WASHER,25.5X42X2.3 (Ref # 92200)	92200-0105	1
WASHER,CLAW,25.5X40X2.3 (Ref # 92200A)	92200-0137	1
NUT,LOCK,FLANGED,12MM (Ref # 92210)	92210-0110	6
NUT,CAP,25MM (Ref # 92210A)	92210-1166	1