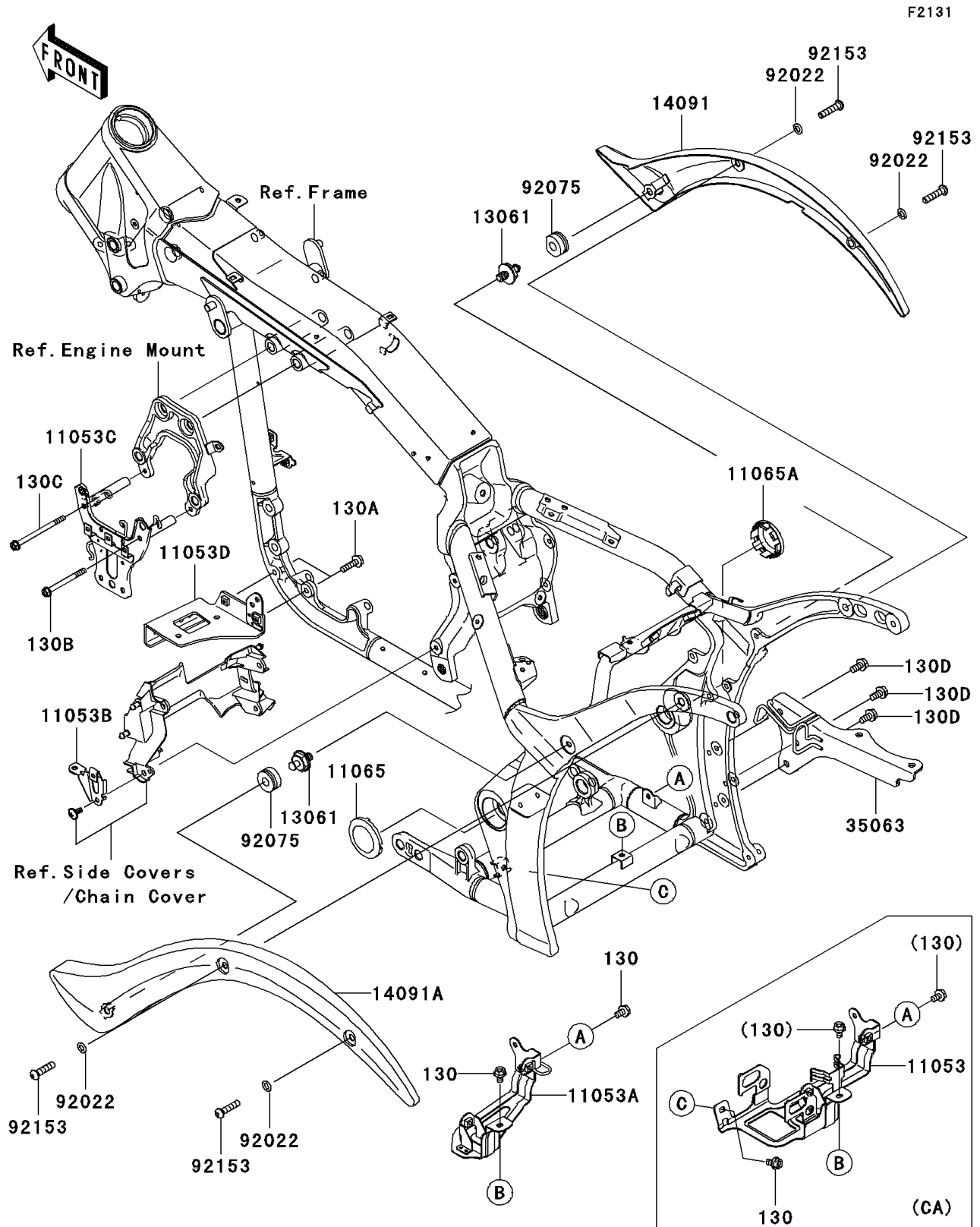


2009 Vulcan® 2000 PARTS DIAGRAM

Frame Fittings



2009 Vulcan® 2000 PARTS LIST

Frame Fittings

| ITEM NAME | PART NUMBER | QUANTITY |
|--------------------------------------|----------------|----------|
| BOLT-FLANGED,6X22 (Ref # 130A) | 130BB0622 | 2 |
| BOLT-FLANGED,6X70 (Ref # 130B) | 130BB0670 | 1 |
| BOLT-FLANGED,6X90 (Ref # 130C) | 130BB0690 | 1 |
| BOLT-FLANGED,8X16 (Ref # 130D) | 130BB0816 | 3 |
| BRACKET,FUSE&SENSOR (Ref # 11053B) | 11053-0494 | 1 |
| BRACKET,IGNITION COIL (Ref # 11053C) | 11053-1254 | 1 |
| BRACKET,REGULATOR (Ref # 11053D) | 11053-1625 | 1 |
| CAP,PIVOT,LH (Ref # 11065) | 11065-0052 | 1 |
| CAP,PIVOT,RH (Ref # 11065A) | 11065-0053 | 1 |
| BOSS (Ref # 13061) | 13061-0060 | 2 |
| COVER,FENDER,RH (Ref # 14091) | 14091-0255 | 1 |
| COVER,FENDER,LH (Ref # 14091A) | 14091-0594 | 1 |
| STAY,MUFFLER,F.S.BLACK (Ref # 35063) | 35063-0489-18R | 1 |
| WASHER,PLAIN,8MM (Ref # 92022) | 92022-3043 | 4 |
| DAMPER (Ref # 92075) | 92075-1986 | 2 |
| BOLT,SOCKET,8X35 (Ref # 92153) | 92153-0419 | 4 |
| BOLT-FLANGED,6X10 (Ref # 130) | 130BB0610 | 2 |
| BOLT-FLANGED,6X10 (Ref # 130) | 130BB0610 | 3 |
| BRACKET,RESERVOIR (Ref # 11053) | 11053-0312 | 1 |
| BRACKET,RESERVOIR (Ref # 11053A) | 11053-0350 | 1 |