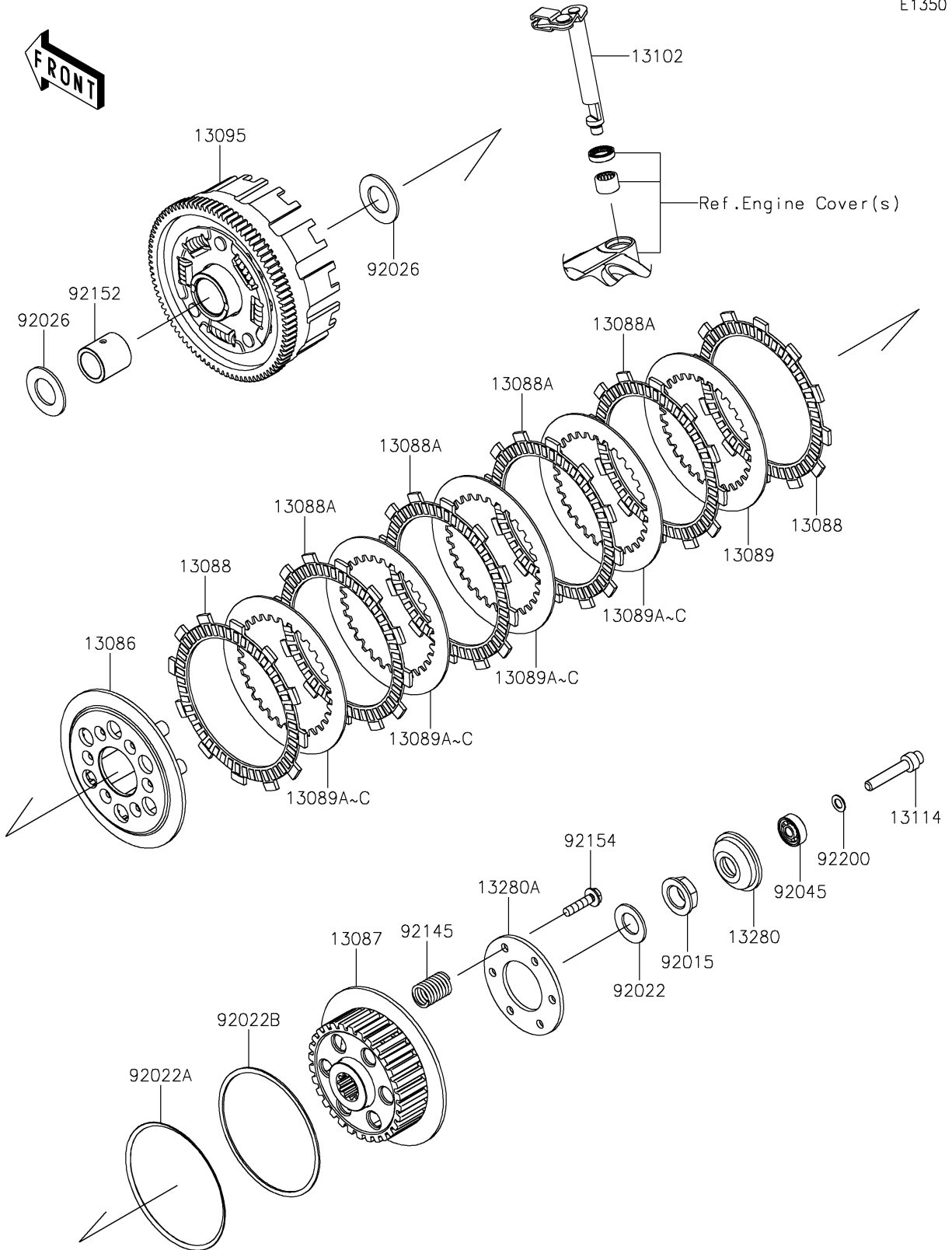


2023 KLX® 230 S PARTS DIAGRAM

Clutch

E1350



2023 KLX® 230 S PARTS LIST

Clutch

ITEM NAME	PART NUMBER	QUANTITY
WHEEL-CLUTCH (Ref # 13086)	13086-0008	1
HUB-CLUTCH (Ref # 13087)	13087-0588	1
PLATE-FRICTION (Ref # 13088)	13088-0562	2
PLATE-FRICTION (Ref # 13088A)	13088-0603	4
PLATE-CLUTCH (Ref # 13089)	13089-1085	1
PLATE-CLUTCH,T=1.6 (Ref # 13089A)	13089-1094	4
PLATE-CLUTCH,T=2.0 (Ref # 13089B)	13089-1116	AR
PLATE-CLUTCH,T=1.2 (Ref # 13089C)	13089-1117	AR
HOUSING-COMP-CLUTCH (Ref # 13095)	13095-0595	1
RELEASE-COMP-CLUTCH (Ref # 13102)	13102-0084	1
PUSHER-CLUTCH (Ref # 13114)	13114-0001	1
HOLDER,CLUTCH PUSHER (Ref # 13280)	13280-0812	1
HOLDER,CLUTCH SPRING (Ref # 13280A)	13280-0936	1
NUT,16MM (Ref # 92015)	92015-1581	1
WASHER,16.3X29X1.75 (Ref # 92022)	92022-1356	1
WASHER,JUDDER SPRING (Ref # 92022A)	92022-1974	1
WASHER,JUDDER SPRING SEAT (Ref # 92022B)	92022-1993	1
SPACER,20.3X36.6X2 (Ref # 92026)	92026-0725	2
BEARING-BALL,627UMC3 J (Ref # 92045)	92045-0915	1
SPRING (Ref # 92145)	92145-1846	6
COLLAR,20X26.8X26.7 (Ref # 92152)	92152-2550	1
BOLT,6X25 (Ref # 92154)	92154-3785	6
WASHER,7X12.5X0.8 (Ref # 92200)	92200-0909	1