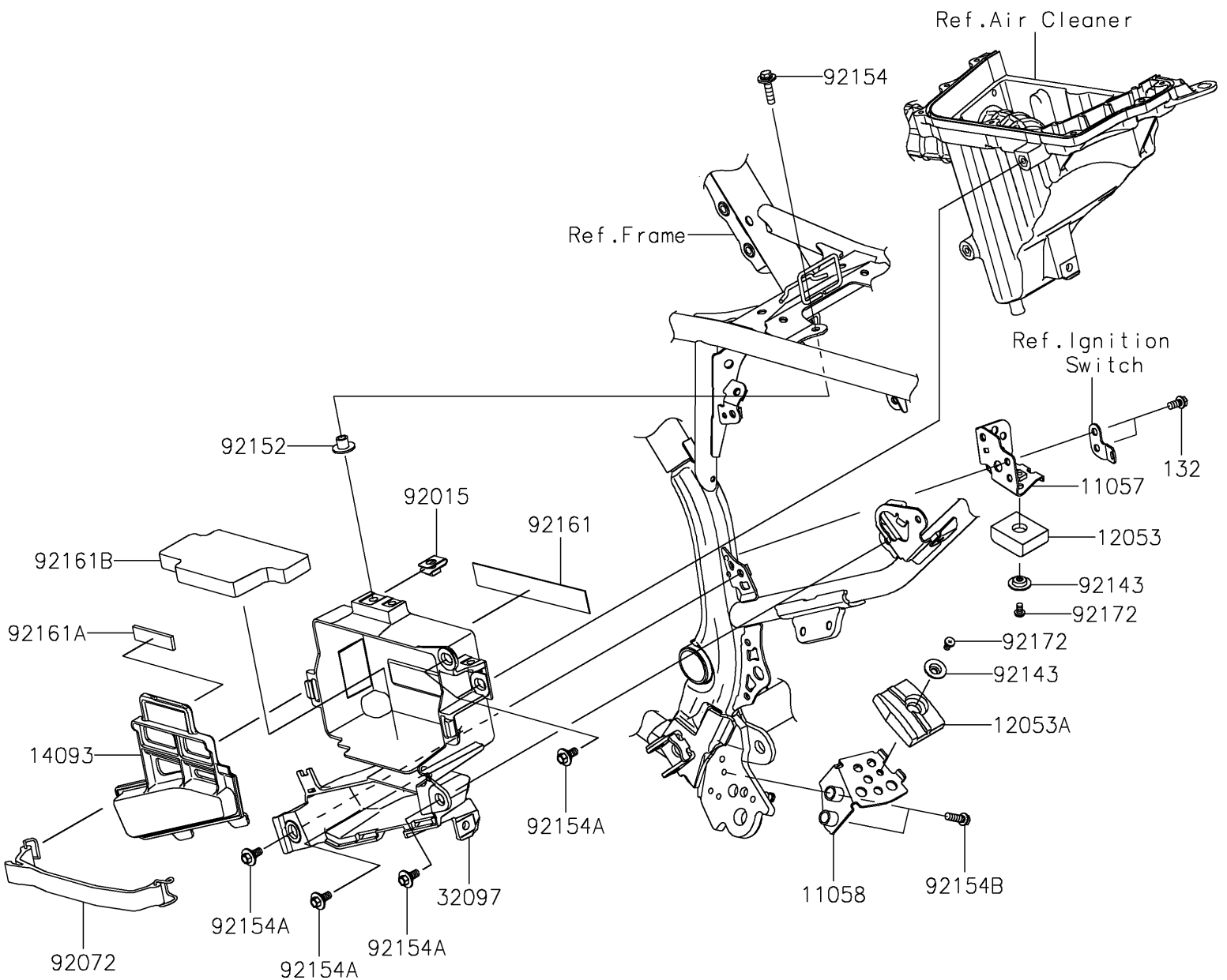


# 2023 KLX<sup>®</sup> 230 S PARTS DIAGRAM

## Frame Fittings

F2131



## 2023 KLX® 230 S PARTS LIST

### Frame Fittings

ITEM NAME	PART NUMBER	QUANTITY
BRACKET,UPP (Ref # 11057)	11057-2067	1
BRACKET,LWR (Ref # 11058)	11058-0854	1
GUIDE-CHAIN,UPP (Ref # 12053)	12053-0270	1
GUIDE-CHAIN,LWR (Ref # 12053A)	12053-0271	1
COVER,BATTERY CASE (Ref # 14093)	14093-0861	1
CASE-BATTERY (Ref # 32097)	32097-0048	1
NUT,6MM (Ref # 92015)	92015-1602	1
BAND,BATTERY (Ref # 92072)	92072-0838	1
COLLAR (Ref # 92143)	92143-1676	2
COLLAR,6.5X10X10.4 (Ref # 92152)	92152-1688	1
BOLT,6X25 (Ref # 92154)	92154-0467	1
BOLT,FLANGED,6X9 (Ref # 92154A)	92154-0546	5
BOLT,FLANGED,6X20 (Ref # 92154B)	92154-2757	2
DAMPER,146X22X1 (Ref # 92161)	92161-2210	1
DAMPER,49X13X3 (Ref # 92161A)	92161-2211	1
DAMPER,BATTERY (Ref # 92161B)	92161-2221	1
SCREW,5X8 (Ref # 92172)	92172-0119	2
BOLT-FLANGED-SMALL,6X12 (Ref # 132)	132BA0612	2