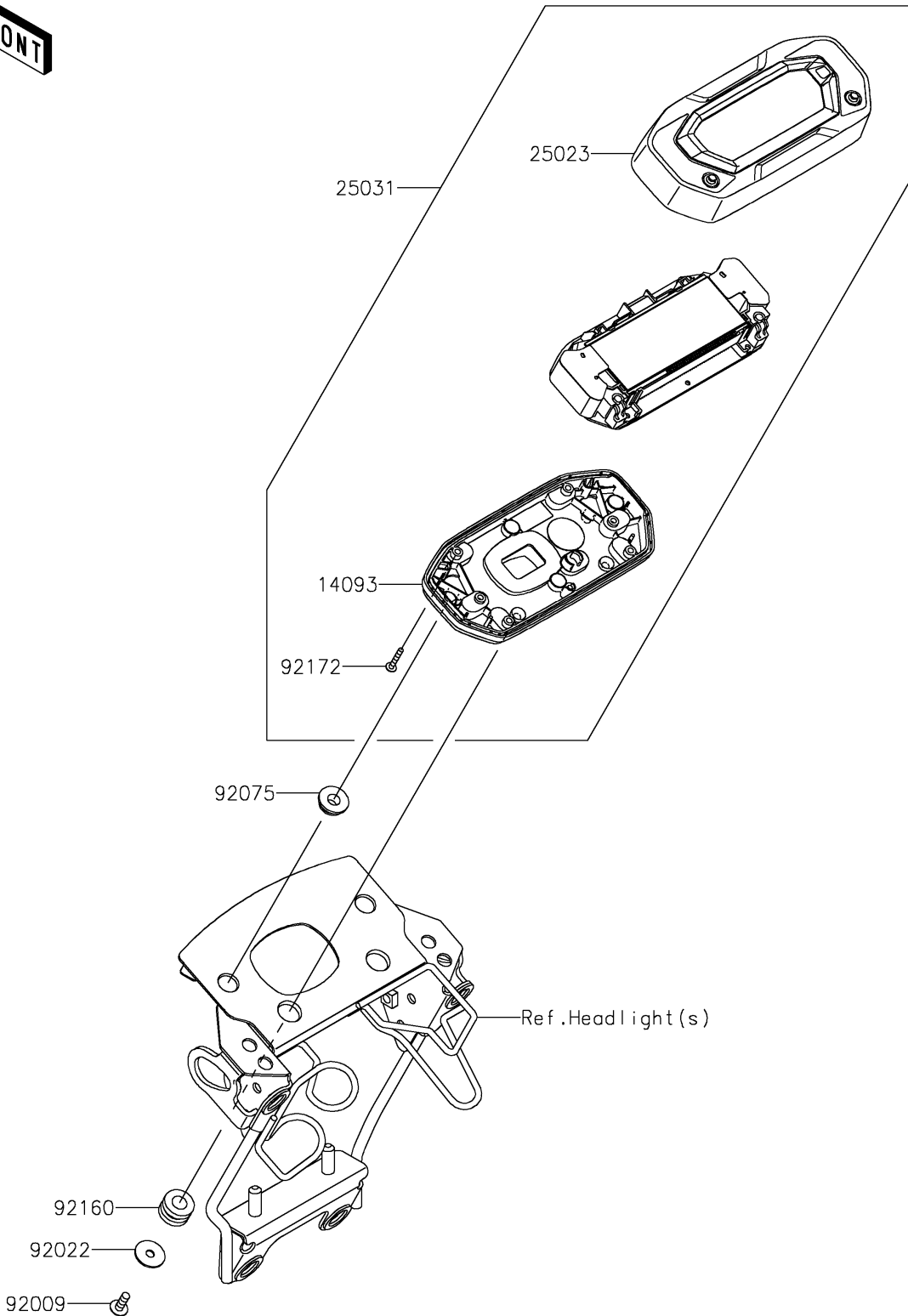


# 2023 KLX® 230 S PARTS DIAGRAM

Meter(s)

F2530



# 2023 KLX® 230 S PARTS LIST

Meter(s)

| ITEM NAME | PART NUMBER | QUANTITY |
|-----------|-------------|----------|
|-----------|-------------|----------|