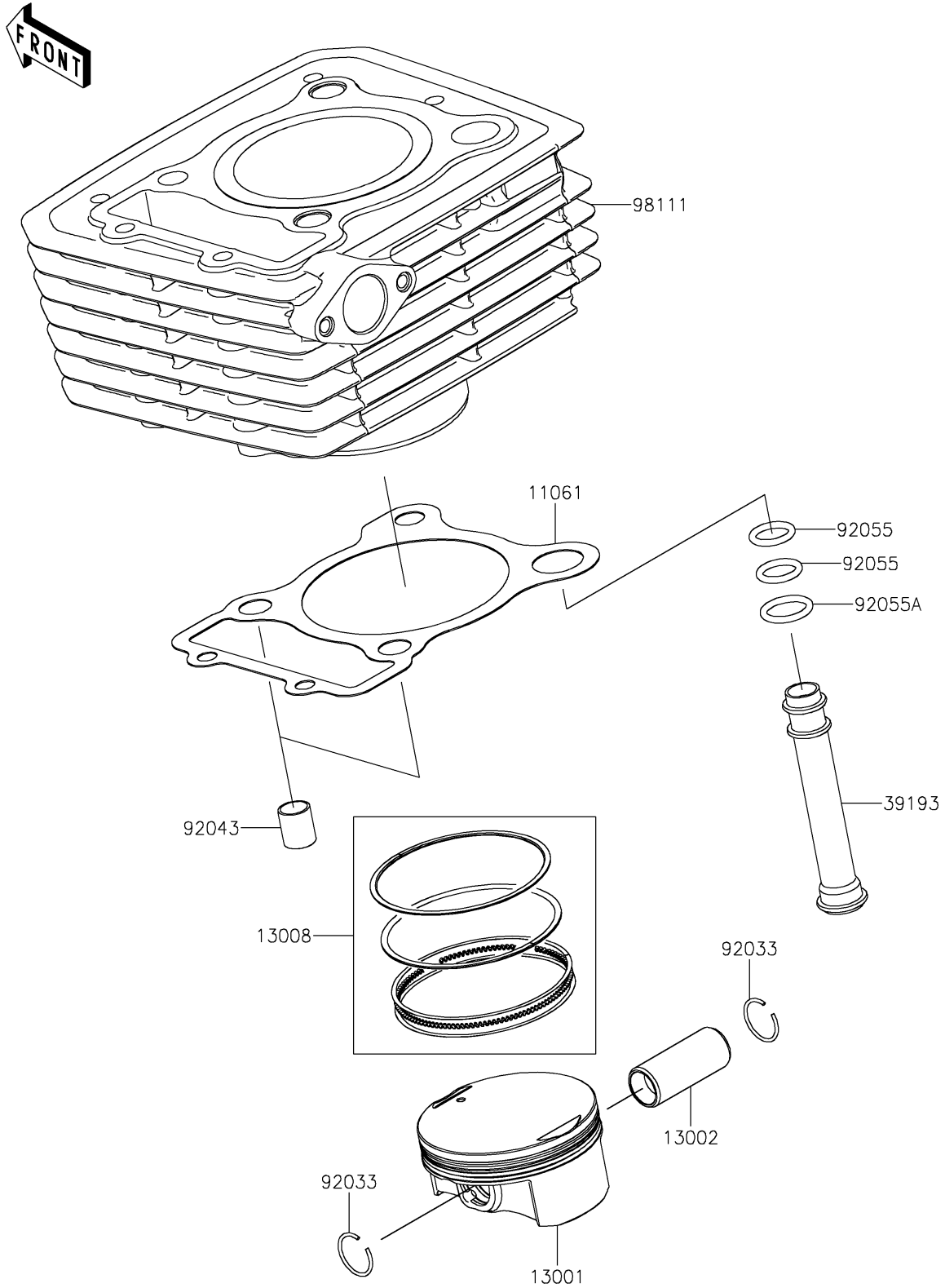


# 2023 KLX® 230SM PARTS DIAGRAM

Cylinder/Piston(s)

E1120



## 2023 KLX® 230SM PARTS LIST

### Cylinder/Piston(s)

ITEM NAME	PART NUMBER	QUANTITY
GASKET,CYLINDER BASE (Ref # 11061)	11061-1298	1
PISTON-ENGINE (Ref # 13001)	13001-0825	1
PIN-PISTON (Ref # 13002)	13002-0718	1
RING-SET-PISTON (Ref # 13008)	13008-0580	1
PIPE-OIL (Ref # 39193)	39193-0586	1
RING-SNAP,PISTON PIN (Ref # 92033)	92033-0732	2
PIN,10.1X12X14 (Ref # 92043)	92043-4009	2
RING-O,12.3X2.4 (Ref # 92055)	92055-0918	2
RING-O,14.8X2.4 (Ref # 92055A)	92055-0919	1
CYLINDER-COMP-ENGINE (Ref # 98111)	98111-0075	1