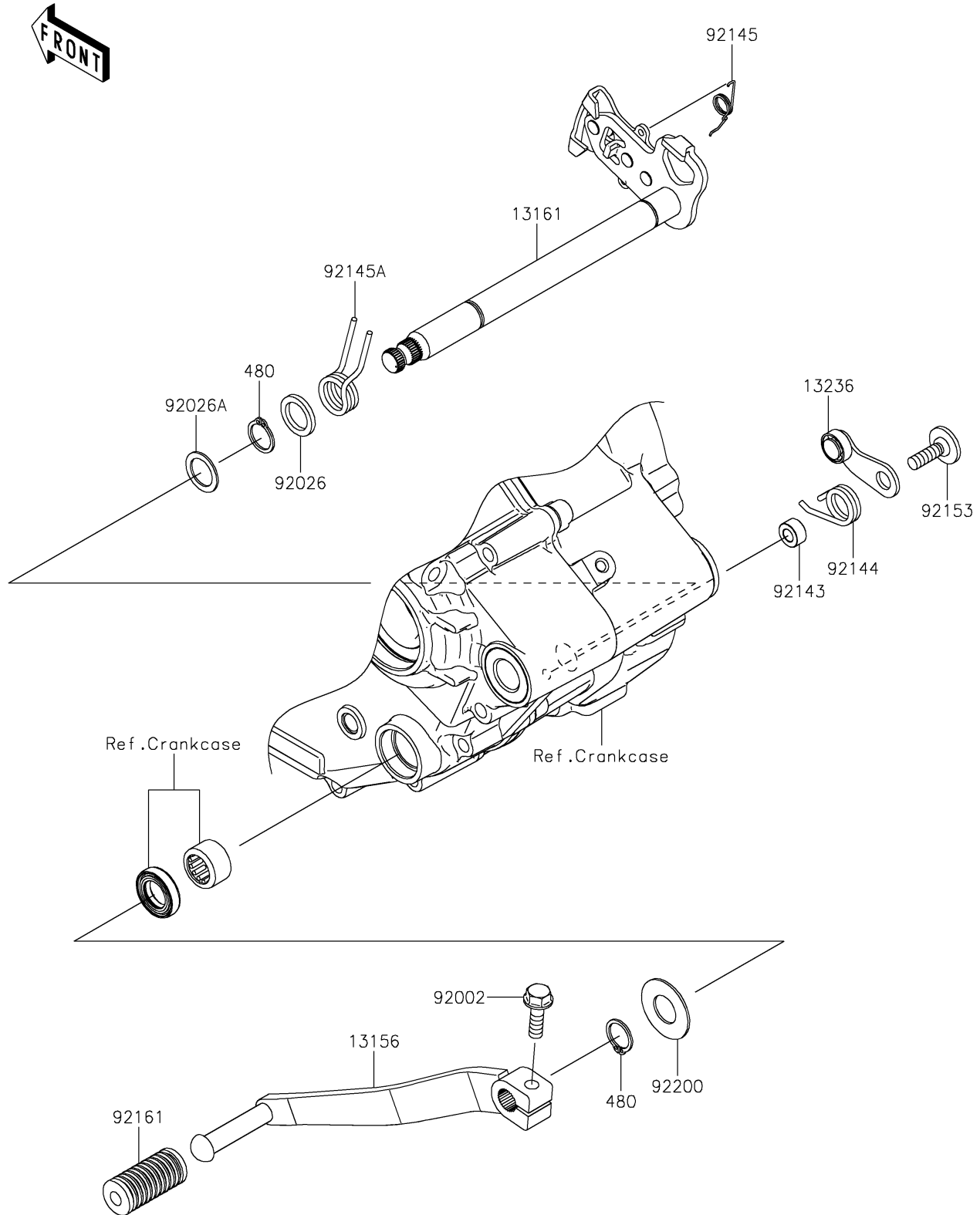


2023 KLX® 230SM PARTS DIAGRAM

Gear Change Mechanism

E1370



2023 KLX® 230SM PARTS LIST

Gear Change Mechanism

| ITEM NAME | PART NUMBER | QUANTITY |
|---------------------------------------|-------------|----------|
| LEVER-CHANGE,PEDAL (Ref # 13156) | 13156-0695 | 1 |
| LEVER-COMP-CHANGE SHAFT (Ref # 13161) | 13161-0612 | 1 |
| LEVER-COMP,POSITION (Ref # 13236) | 13236-0818 | 1 |
| BOLT,6X20 (Ref # 92002) | 92002-1237 | 1 |
| SPACER,14X20X2.3 (Ref # 92026) | 92026-0107 | 1 |
| SPACER,14X20X1.0 (Ref # 92026A) | 92026-1534 | 1 |
| COLLAR (Ref # 92143) | 92143-1595 | 1 |
| SPRING,GEAR POSITION (Ref # 92144) | 92144-1523 | 1 |
| SPRING (Ref # 92145) | 92145-0414 | 1 |
| SPRING,RETURN (Ref # 92145A) | 92145-0415 | 1 |
| BOLT,6X20 (Ref # 92153) | 92153-1505 | 1 |
| DAMPER,CHANGE PEDAL (Ref # 92161) | 92161-2089 | 1 |
| WASHER (Ref # 92200) | 92200-0265 | 1 |
| CIRCLIP-TYPE-C,14MM (Ref # 480) | 480J1400 | 2 |