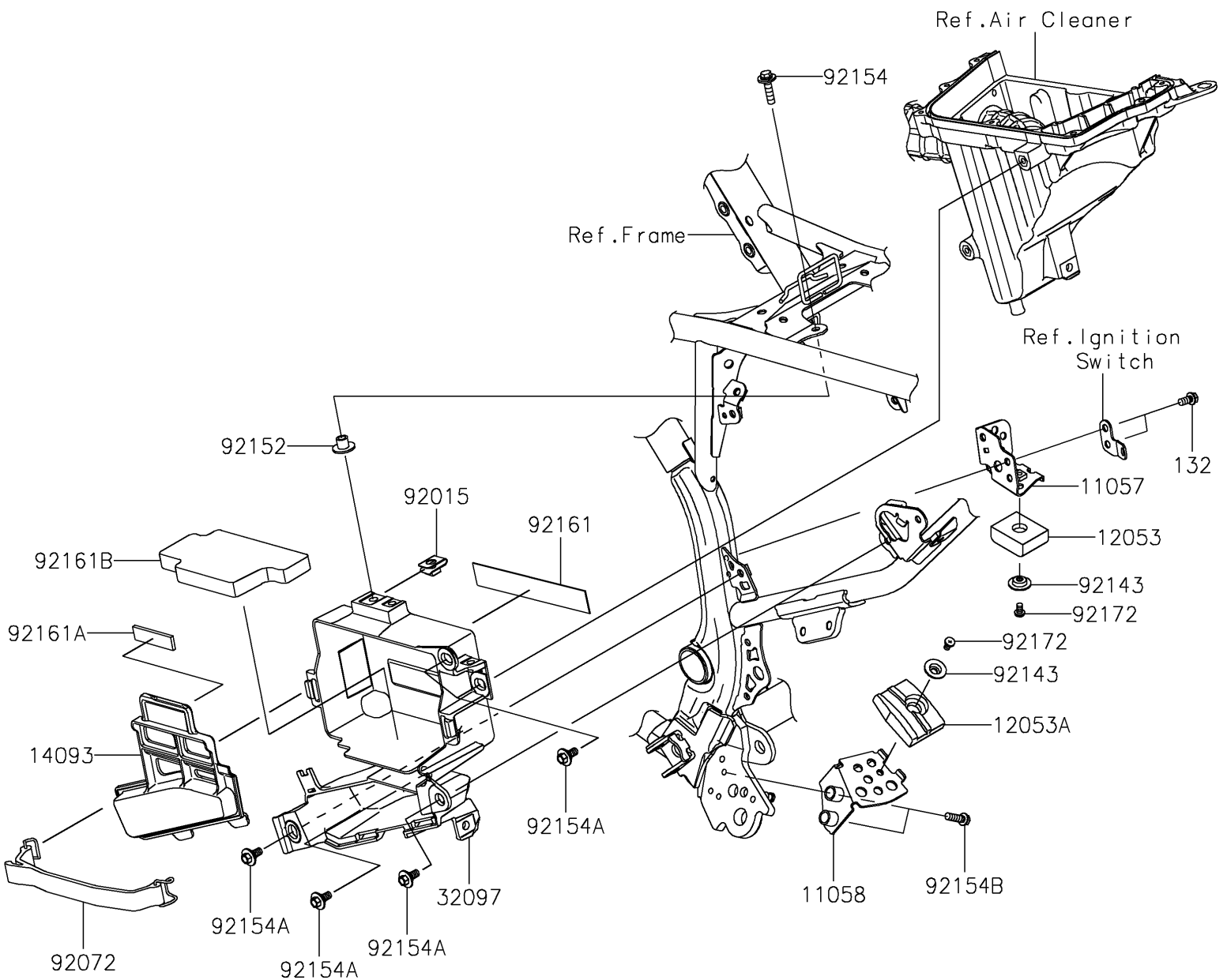


# 2023 KLX® 230SM PARTS DIAGRAM

## Frame Fittings

F2131



## 2023 KLX® 230SM PARTS LIST

### Frame Fittings

| ITEM NAME                           | PART NUMBER | QUANTITY |
|-------------------------------------|-------------|----------|
| BRACKET,UPP (Ref # 11057)           | 11057-2067  | 1        |
| BRACKET,LWR (Ref # 11058)           | 11058-0854  | 1        |
| GUIDE-CHAIN,UPP (Ref # 12053)       | 12053-0270  | 1        |
| GUIDE-CHAIN,LWR (Ref # 12053A)      | 12053-0271  | 1        |
| COVER,BATTERY CASE (Ref # 14093)    | 14093-0861  | 1        |
| CASE-BATTERY (Ref # 32097)          | 32097-0048  | 1        |
| NUT,6MM (Ref # 92015)               | 92015-1602  | 1        |
| BAND,BATTERY (Ref # 92072)          | 92072-0838  | 1        |
| COLLAR (Ref # 92143)                | 92143-1676  | 2        |
| COLLAR,6.5X10X10.4 (Ref # 92152)    | 92152-1688  | 1        |
| BOLT,6X25 (Ref # 92154)             | 92154-0467  | 1        |
| BOLT,FLANGED,6X9 (Ref # 92154A)     | 92154-0546  | 5        |
| BOLT,FLANGED,6X20 (Ref # 92154B)    | 92154-2757  | 2        |
| DAMPER,146X22X1 (Ref # 92161)       | 92161-2210  | 1        |
| DAMPER,49X13X3 (Ref # 92161A)       | 92161-2211  | 1        |
| DAMPER,BATTERY (Ref # 92161B)       | 92161-2221  | 1        |
| SCREW,5X8 (Ref # 92172)             | 92172-0119  | 2        |
| BOLT-FLANGED-SMALL,6X12 (Ref # 132) | 132BA0612   | 2        |