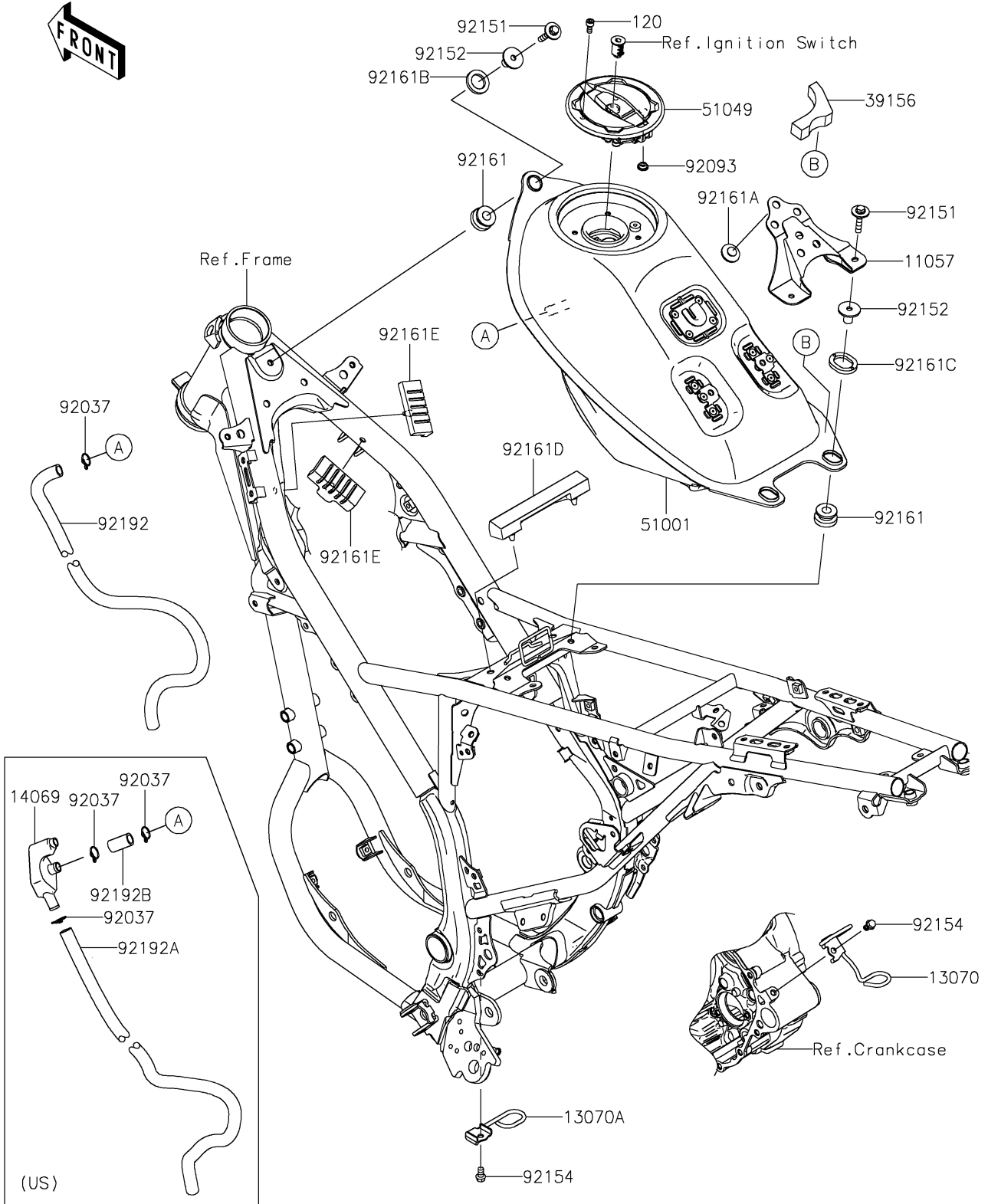


2023 KLX® 230SM PARTS DIAGRAM

Fuel Tank

F2410



2023 KLX® 230SM PARTS LIST

Fuel Tank

| ITEM NAME | PART NUMBER | QUANTITY |
|--|----------------|----------|
| BRACKET (Ref # 11057) | 11057-3910 | 1 |
| GUIDE (Ref # 13070) | 13070-0909 | 1 |
| GUIDE (Ref # 13070A) | 13070-0912 | 1 |
| BREATHER,FUEL TANK (Ref # 14069) | 14069-0033 | 1 |
| PAD (Ref # 39156) | 39156-2463 | 1 |
| TANK-COMP-FUEL,F.S.BLACK (Ref # 51001) | 51001-0902-25Q | 1 |
| CAP-TANK (Ref # 51049) | 51049-0765 | 1 |
| CLAMP,12.5MM (Ref # 92037) | 92037-1271 | 1 |
| SEAL,FUEL TANK CAP (Ref # 92093) | 92093-1030 | 1 |
| BOLT,FLANGED,6X30 (Ref # 92151) | 92151-1105 | 3 |
| COLLAR,6.8X10X16 (Ref # 92152) | 92152-2666 | 3 |
| BOLT,FLANGED,6X10 (Ref # 92154) | 92154-0459 | 2 |
| DAMPER,FUEL TANK (Ref # 92161) | 92161-1392 | 3 |
| DAMPER,8X22X10 (Ref # 92161A) | 92161-1685 | 3 |
| DAMPER (Ref # 92161B) | 92161-2216 | 1 |
| DAMPER (Ref # 92161C) | 92161-2217 | 2 |
| DAMPER (Ref # 92161D) | 92161-2231 | 1 |
| DAMPER (Ref # 92161E) | 92161-2286 | 2 |
| TUBE,DRAIN (Ref # 92192) | 92192-1949 | 1 |
| TUBE,10X14X870 (Ref # 92192A) | 92192-1964 | 1 |
| TUBE,10X14X26 (Ref # 92192B) | 92192-1965 | 1 |
| BOLT-SOCKET,5X12 (Ref # 120) | 120CA0512 | 4 |
| CLAMP,12.5MM (Ref # 92037) | 92037-1271 | 3 |