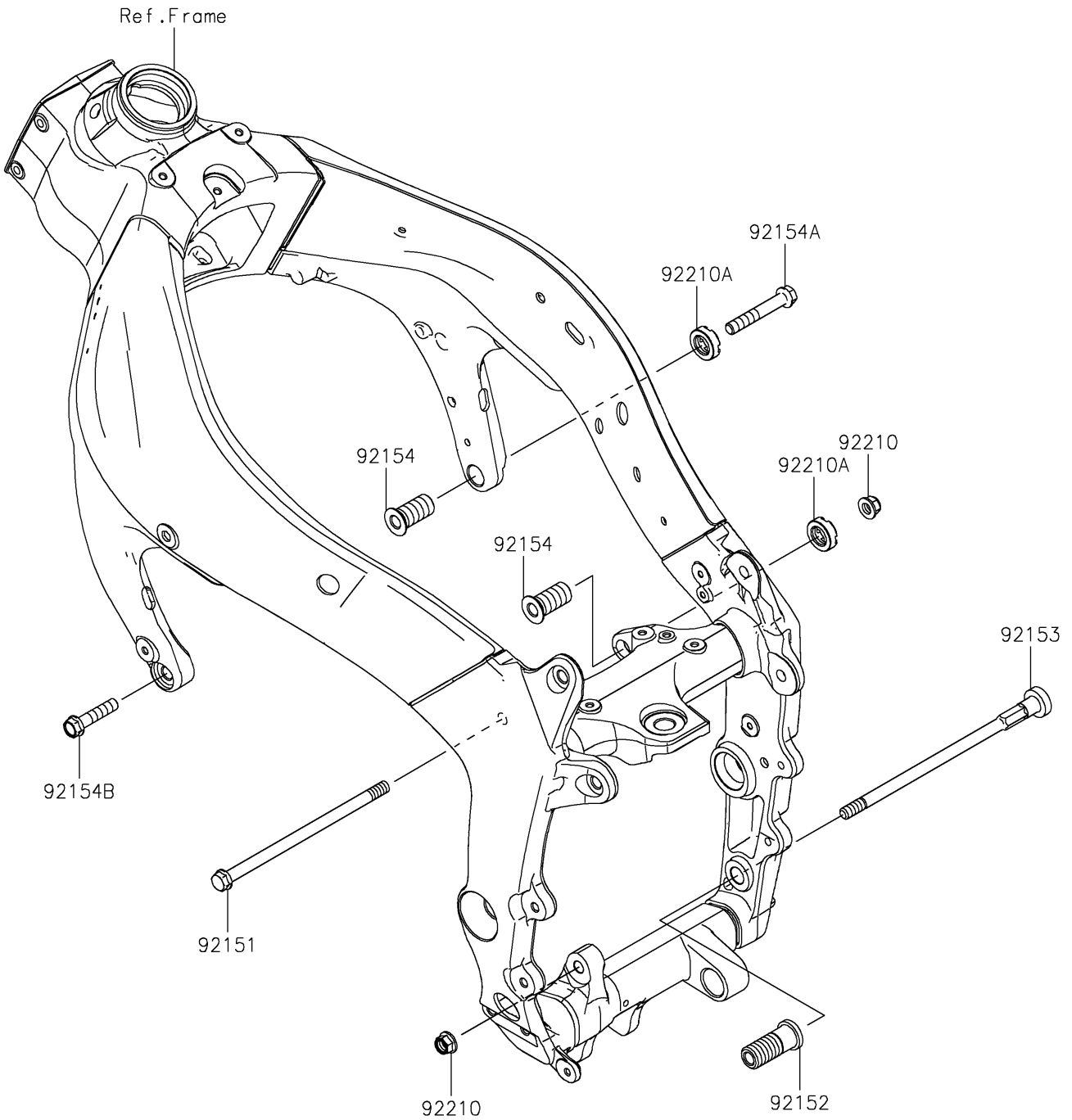


# 2019 NINJA<sup>®</sup> ZX<sup>™</sup>-6R ABS PARTS DIAGRAM

Engine Mount

F2122



## 2019 NINJA® ZX™ -6R ABS PARTS LIST

### Engine Mount

ITEM NAME	PART NUMBER	QUANTITY
BOLT,FLANGED,10X190 (Ref # 92151)	92151-1915	1
COLLAR,ENGINE MOUNT (Ref # 92152)	92152-0076	1
BOLT,SOCKET,10X227 (Ref # 92153)	92153-1328	1
BOLT,ENGINE MOUNT,18MM (Ref # 92154)	92154-0249	2
BOLT,FLANGED,10X65 (Ref # 92154A)	92154-1964	1
BOLT,FLANGED,10X40 (Ref # 92154B)	92154-1965	1
NUT,LOCK,FLANGED,10MM (Ref # 92210)	92210-1139	2
NUT,18MM (Ref # 92210A)	92210-1203	2