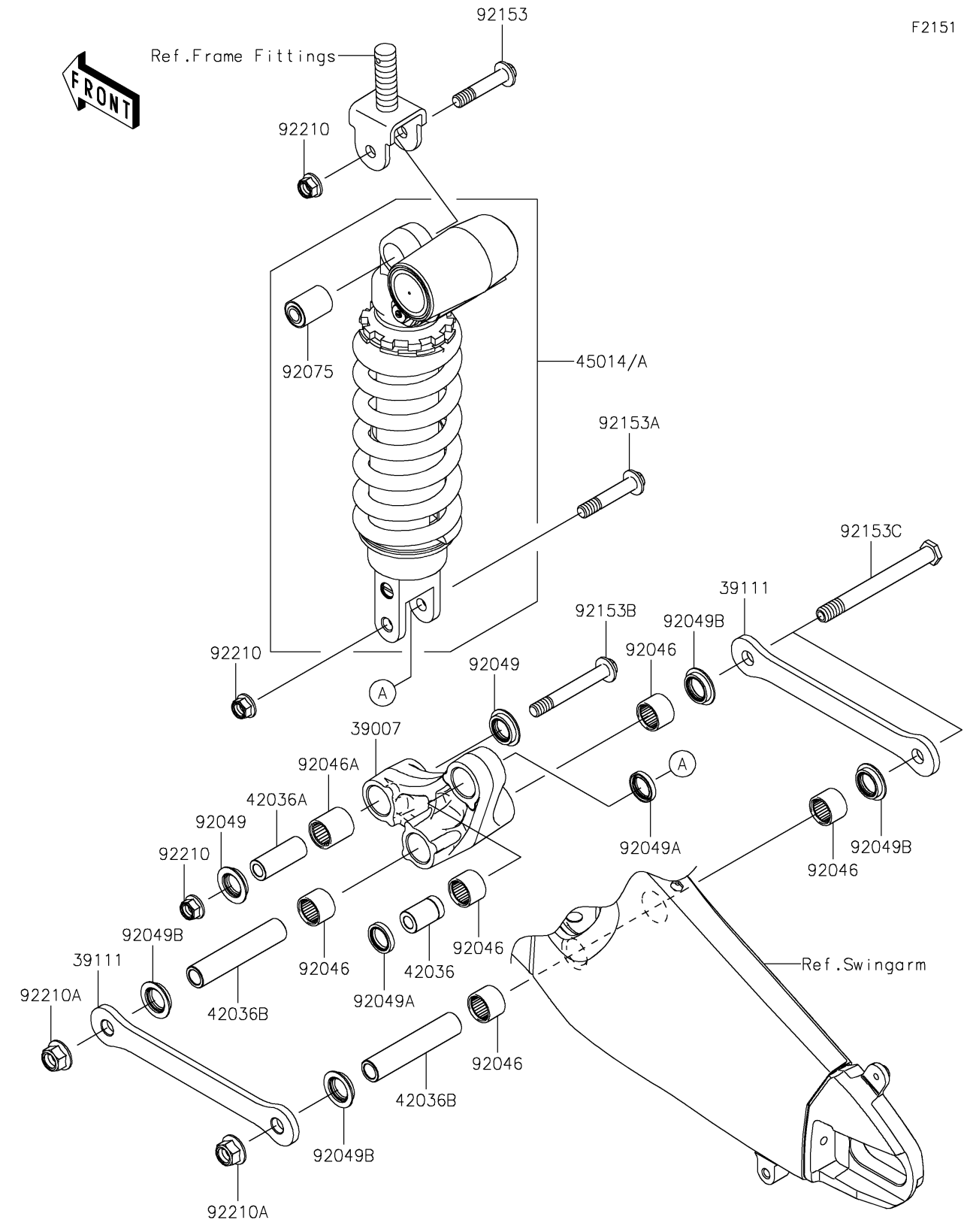


# 2020 NINJA<sup>®</sup> ZX<sup>™</sup>-6R ABS KRT EDITION PARTS DIAGRAM

Suspension/Shock Absorber

F2151



## 2020 NINJA® ZX™ -6R ABS KRT EDITION PARTS LIST

### Suspension/Shock Absorber

ITEM NAME	PART NUMBER	QUANTITY
ARM-SUSP,UNI TRAK (Ref # 39007)	39007-0045	1
ROD-TIE,SUSPENSION (Ref # 39111)	39111-0316	2
SLEEVE,10.1X18X30 (Ref # 42036)	42036-1258	1
SLEEVE,10.1X17X44.5 (Ref # 42036A)	42036-1342	1
SLEEVE,12.1X18X90 (Ref # 42036B)	42036-1360	2
SHOCKABSORBER,SPG GRN+BLACK (Ref # 45014)	45014-0393-37X	1
BEARING-NEEDLE,SFYZM182417 (Ref # 92046)	92046-1272	5
BEARING-NEEDLE,SFYZM172425 (Ref # 92046A)	92046-1273	1
SEAL-OIL,MHA17245.7F (Ref # 92049)	92049-1223	2
SEAL-OIL,MHA18244 (Ref # 92049A)	92049-1225	2
SEAL-OIL,KCR MF018N1 (Ref # 92049B)	92049-1493	4
DAMPER,SHOCKABSORBER (Ref # 92075)	92075-1426	1
BOLT,FLANGED,10X51 (Ref # 92153)	92153-1545	1
BOLT,FLANGED,10X55 (Ref # 92153A)	92153-1546	1
BOLT,FLANGED,10X77 (Ref # 92153B)	92153-1547	1
BOLT,12X114 (Ref # 92153C)	92153-1662	2
NUT,LOCK,FLANGED,10MM (Ref # 92210)	92210-1139	3
NUT,LOCK,FLANGED,12MM (Ref # 92210A)	92210-1150	2