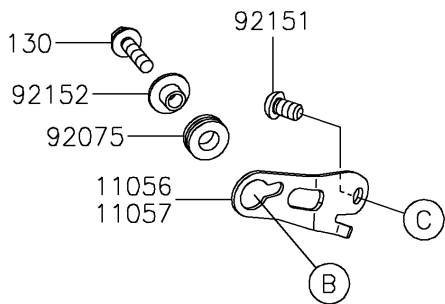
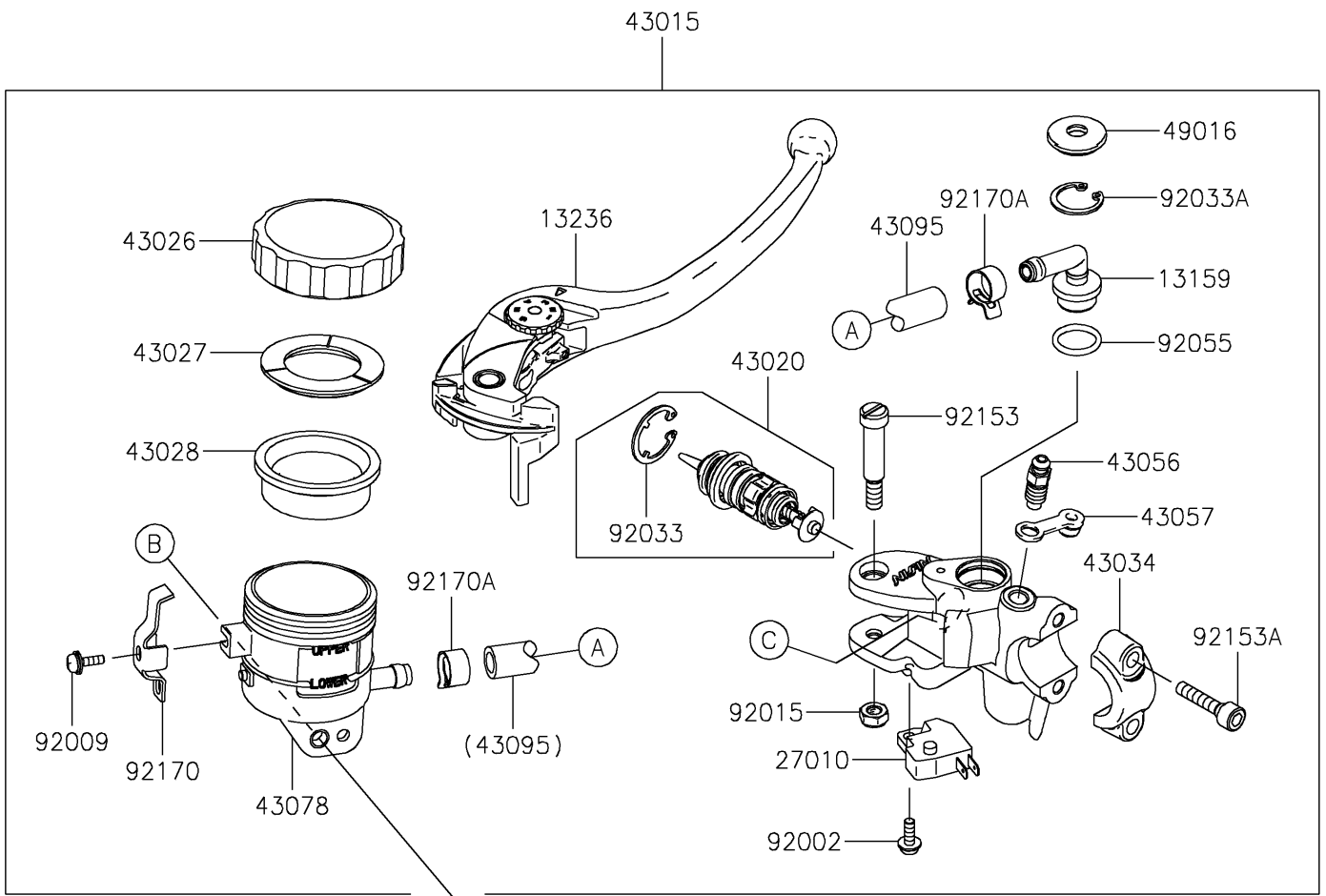


# 2019 NINJA® ZX™ -6R ABS KRT EDITION PARTS DIAGRAM

Front Master Cylinder

F2291



## 2019 NINJA® ZX™ -6R ABS KRT EDITION PARTS LIST

### Front Master Cylinder

ITEM NAME	PART NUMBER	QUANTITY
BRACKET,FR MASTER CYLINDER (Ref # 11056)	11056-2050	1
CONNECTOR (Ref # 13159)	13159-1061	1
LEVER-COMP (Ref # 13236)	13236-0729	1
SWITCH,BRAKE (Ref # 27010)	27010-0762	1
CYLINDER-ASSY-MASTER,FR (Ref # 43015)	43015-0702	1
PISTON-COMP-BRAKE (Ref # 43020)	43020-0010	1
CAP-BRAKE (Ref # 43026)	43026-1051	1
PLATE-DIAPHRAGM (Ref # 43027)	43027-1051	1
DIAPHRAGM,MASTER CYLINDER (Ref # 43028)	43028-1057	1
HOLDER-BRAKE,MASTER CYLINDER (Ref # 43034)	43034-0056	1
BREATHER-BRAKE (Ref # 43056)	43056-1056	1
CAP-BREATHER (Ref # 43057)	43057-1001	1
RESERVOIR (Ref # 43078)	43078-1099	1
HOSE-BRAKE,FR MASTER CYLINDER (Ref # 43095)	43095-0366	1
COVER-SEAL (Ref # 49016)	49016-1147	1
BOLT,SCREW,4X12 (Ref # 92002)	92002-1323	1
SCREW (Ref # 92009)	92009-1570	1
NUT,FLANGED,6MM (Ref # 92015)	92015-1528	1
RING-SNAP (Ref # 92033)	92033-0034	1
RING-SNAP,20.5MM (Ref # 92033A)	92033-1186	1
RING-O,14.8X2.4 (Ref # 92055)	92055-0741	1
DAMPER (Ref # 92075)	92075-161	1
BOLT,SOCKET,6X10 (Ref # 92151)	92151-1449	1
COLLAR (Ref # 92152)	92152-0017	1
BOLT,LEVER (Ref # 92153)	92153-0868	1
BOLT,SOCKET,6X22 (Ref # 92153A)	92153-1518	2
CLAMP (Ref # 92170)	92170-1090	1
CLAMP,HOSE (Ref # 92170A)	92170-1091	2
NUT,FLANGED,5MM (Ref # 92210)	92210-0007	1

## 2019 NINJA® ZX™ -6R ABS KRT EDITION PARTS LIST

### Front Master Cylinder

ITEM NAME	PART NUMBER	QUANTITY
BOLT-FLANGED,5X20 (Ref # 130)	130BB0520	1