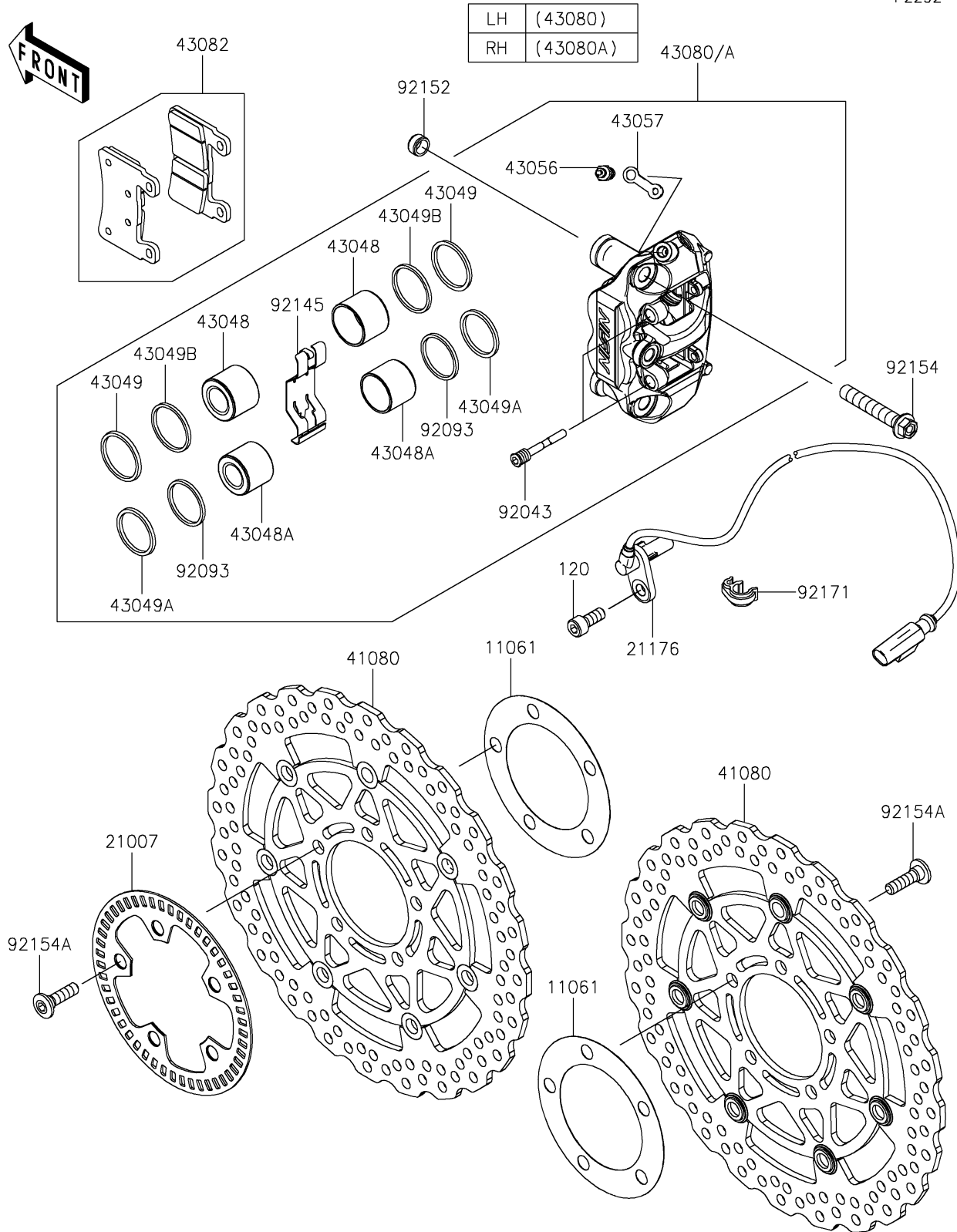


2020 NINJA® ZX™ -6R ABS KRT EDITION PARTS DIAGRAM

Front Brake

F2292



2020 NINJA® ZX™ -6R ABS KRT EDITION PARTS LIST

Front Brake

| ITEM NAME | PART NUMBER | QUANTITY |
|-----------|-------------|----------|
|-----------|-------------|----------|