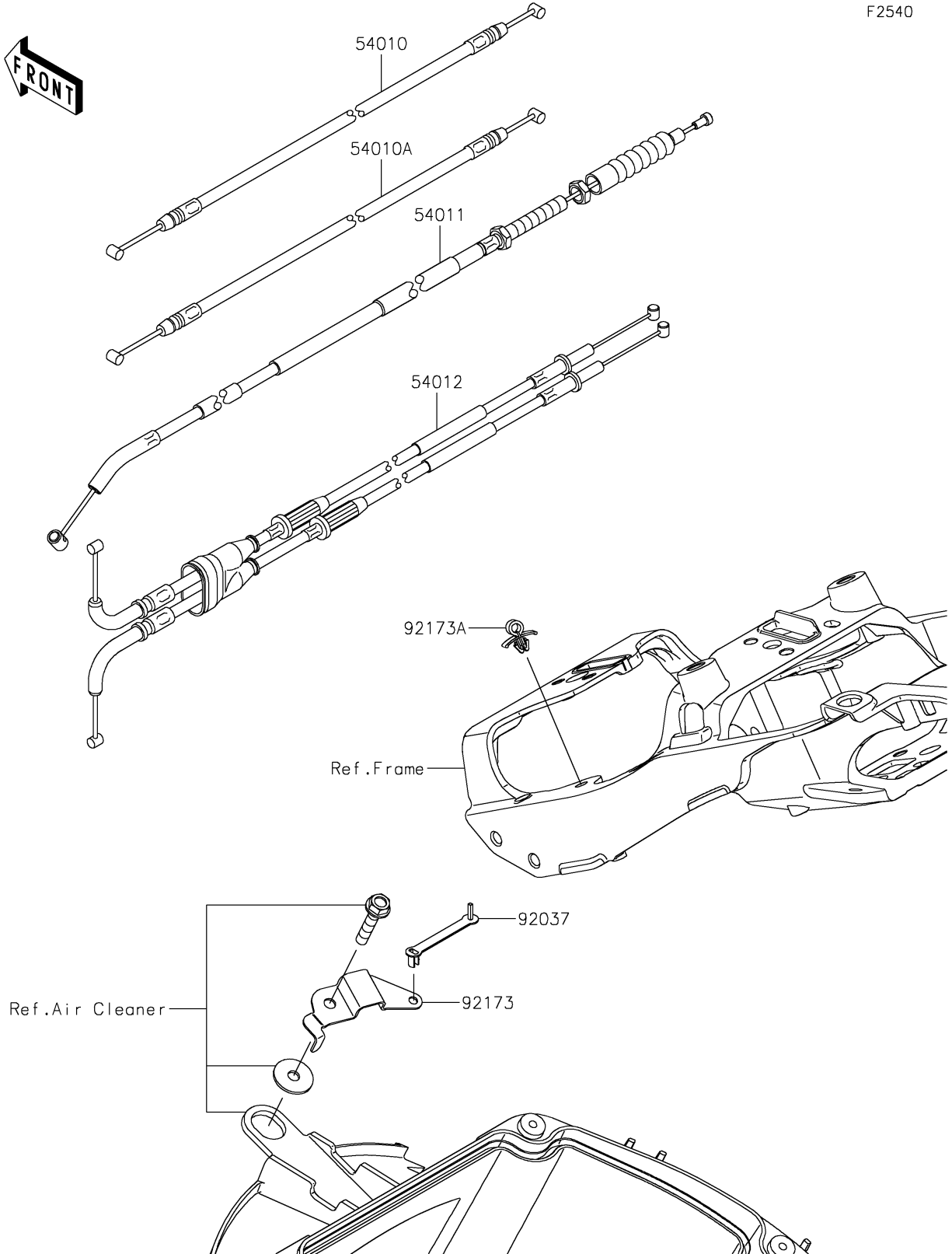


2019 NINJA® ZX™ -6R ABS PARTS DIAGRAM

Cables

F2540



2019 NINJA® ZX™-6R ABS PARTS LIST

Cables

| ITEM NAME | PART NUMBER | QUANTITY |
|-----------------------------------|-------------|----------|
| CABLE,SEAT LOCK,FR (Ref # 54010) | 54010-0627 | 1 |
| CABLE,SEAT LOCK,RR (Ref # 54010A) | 54010-0628 | 1 |
| CABLE-CLUTCH (Ref # 54011) | 54011-0634 | 1 |
| CABLE-THROTTLE (Ref # 54012) | 54012-0586 | 1 |
| CLAMP,SPEED,L=43 (Ref # 92037) | 92037-1290 | 1 |
| CLAMP (Ref # 92173) | 92173-1151 | 1 |
| CLAMP (Ref # 92173A) | 92173-1717 | 1 |