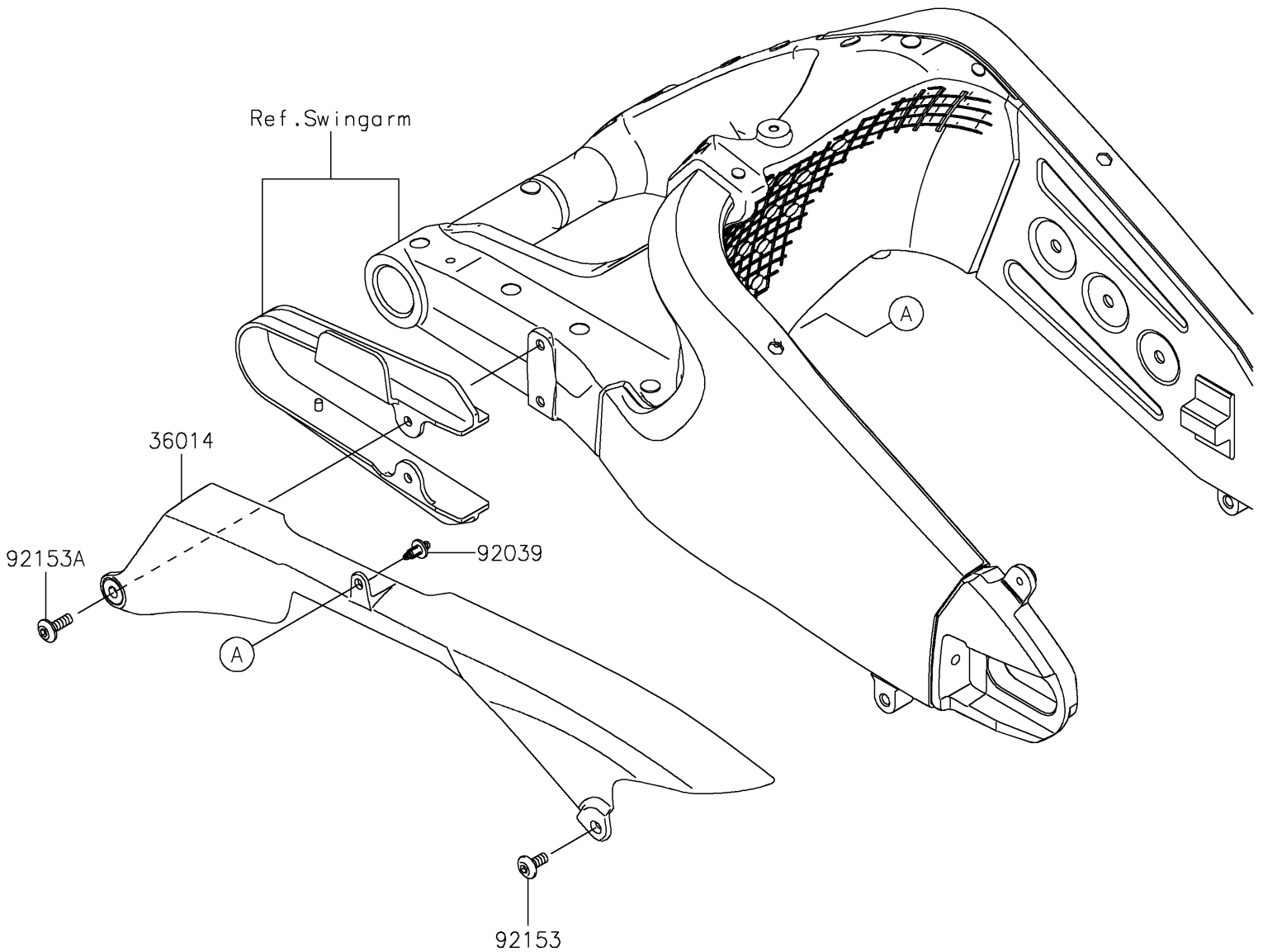


2019 NINJA® ZX™ -6R ABS PARTS DIAGRAM

Chain Cover

F2650



2019 NINJA® ZX™ -6R ABS PARTS LIST

Chain Cover

ITEM NAME	PART NUMBER	QUANTITY
-----------	-------------	----------