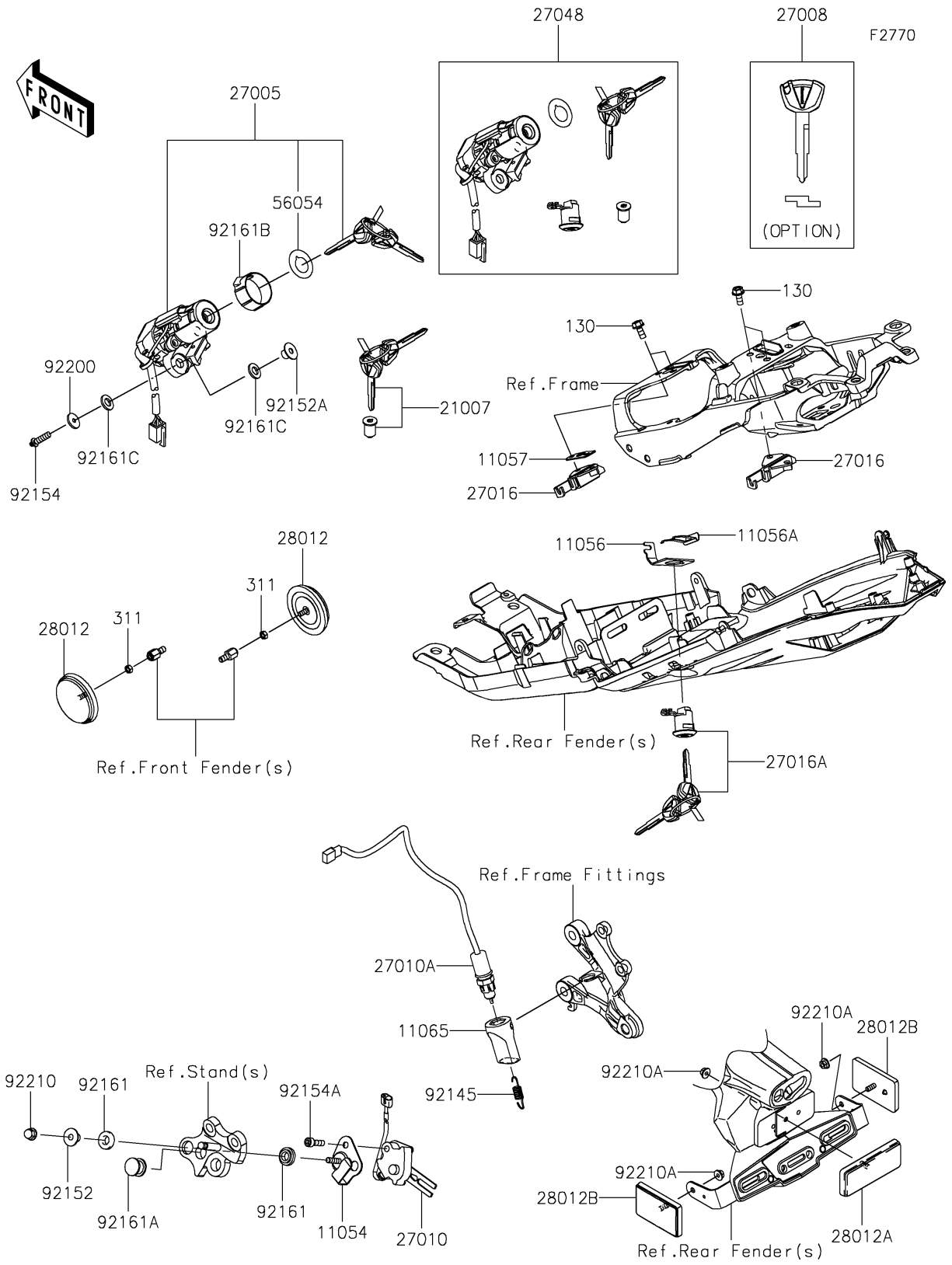


# 2020 NINJA® ZX™ -6R ABS KRT EDITION PARTS DIAGRAM

Ignition Switch/Locks/Reflectors



## 2020 NINJA® ZX™ -6R ABS KRT EDITION PARTS LIST

### Ignition Switch/Locks/Reflectors

| ITEM NAME                               | PART NUMBER | QUANTITY |
|-----------------------------------------|-------------|----------|
| BRACKET,SIDE STAND SWITCH (Ref # 11054) | 11054-1904  | 1        |
| BRACKET (Ref # 11056)                   | 11056-0237  | 1        |
| BRACKET,CLASP (Ref # 11056A)            | 11056-0238  | 1        |
| BRACKET,FR (Ref # 11057)                | 11057-2650  | 1        |
| CAP,RR BRAKE SWITCH (Ref # 11065)       | 11065-0381  | 1        |
| ROTOR,LOCK,TANK CAP (Ref # 21007)       | 21007-5068  | 1        |
| SWITCH-ASSY-IGNITION (Ref # 27005)      | 27005-0568  | 1        |
| KEY-LOCK,BLANK (Ref # 27008)            | 27008-0069  | 1        |
| SWITCH,SIDE STAND (Ref # 27010)         | 27010-0741  | 1        |
| SWITCH,RR BRAKE (Ref # 27010A)          | 27010-0867  | 1        |
| LOCK-ASSY,SEAT STRIKER (Ref # 27016)    | 27016-1115  | 2        |
| LOCK-ASSY,SEAT (Ref # 27016A)           | 27016-5373  | 1        |
| SWITCH-ASSY (Ref # 27048)               | 27048-5023  | 1        |
| REFLECTOR-REFLEX,FR,SIDE (Ref # 28012)  | 28012-0001  | 2        |
| REFLECTOR-REFLEX (Ref # 28012A)         | 28012-1077  | 1        |
| REFLECTOR-REFLEX (Ref # 28012B)         | 28012-1088  | 2        |
| MARK,IGNITION SWITCH (Ref # 56054)      | 56054-0969  | 1        |
| SPRING,REAR BRAKE SWITCH (Ref # 92145)  | 92145-1890  | 1        |
| COLLAR (Ref # 92152)                    | 92152-1074  | 1        |
| COLLAR,6.8X10X11.6 (Ref # 92152A)       | 92152-1699  | 2        |
| BOLT,TORX,6X24 (Ref # 92154)            | 92154-1129  | 2        |
| BOLT,SOCKET,6X22 (Ref # 92154A)         | 92154-1898  | 1        |
| DAMPER (Ref # 92161)                    | 92161-0117  | 2        |
| DAMPER (Ref # 92161A)                   | 92161-0118  | 1        |
| DAMPER (Ref # 92161B)                   | 92161-1506  | 1        |
| DAMPER,10X17X3 (Ref # 92161C)           | 92161-1507  | 4        |
| WASHER,6X20X1.6 (Ref # 92200)           | 92200-0212  | 2        |
| NUT,CAP,6MM (Ref # 92210)               | 92210-0003  | 1        |
| NUT,FLANGED,5MM (Ref # 92210A)          | 92210-0007  | 3        |

## 2020 NINJA® ZX™ -6R ABS KRT EDITION PARTS LIST

Ignition Switch/Locks/Reflectors

| ITEM NAME                     | PART NUMBER | QUANTITY |
|-------------------------------|-------------|----------|
| BOLT-FLANGED,6X14 (Ref # 130) | 130BC0614   | 4        |
| NUT-HEX,5MM (Ref # 311)       | 311AB0500   | 2        |