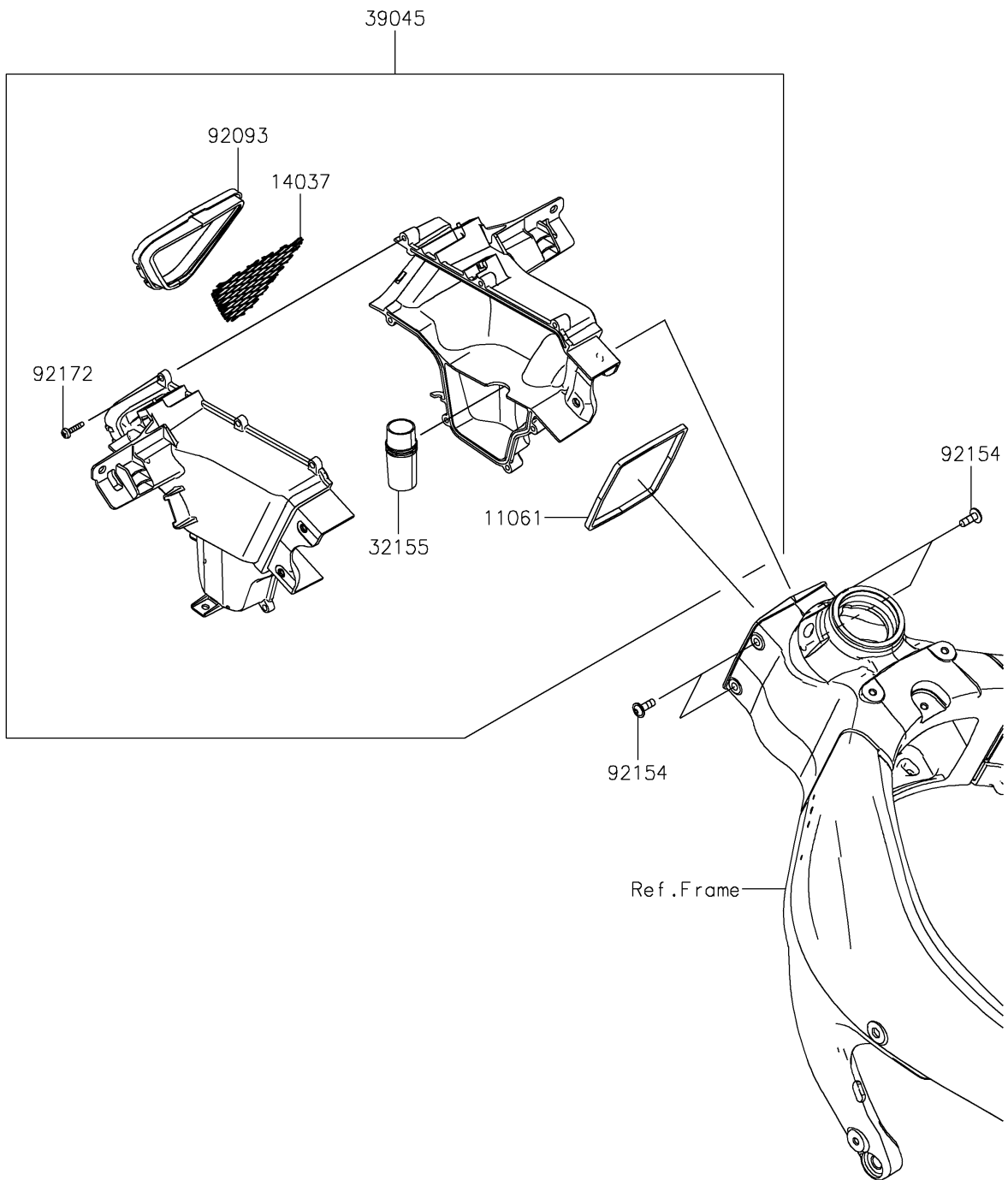


2019 NINJA® ZX™ -6R PARTS DIAGRAM

Air Duct

E1131



2019 NINJA® ZX™-6R PARTS LIST

Air Duct

| ITEM NAME | PART NUMBER | QUANTITY |
|-------------------------------------------|-------------|----------|
| GASKET (Ref # 11061) | 11061-0825 | 1 |
| SCREEN (Ref # 14037) | 14037-0796 | 1 |
| PIPE (Ref # 32155) | 32155-1275 | 1 |
| DUCT-ASSY, RAM AIR (Ref # 39045) | 39045-0047 | 1 |
| SEAL (Ref # 92093) | 92093-0724 | 1 |
| BOLT, FLANGED, BUTTON, 6X18 (Ref # 92154) | 92154-1882 | 4 |
| SCREW, TAPPING, 5X20 (Ref # 92172) | 92172-0009 | 7 |