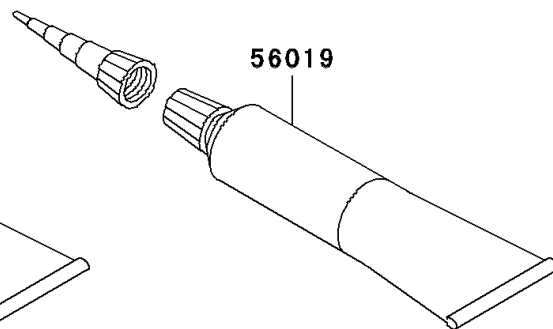
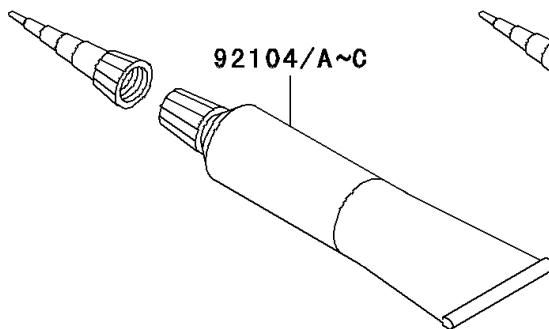
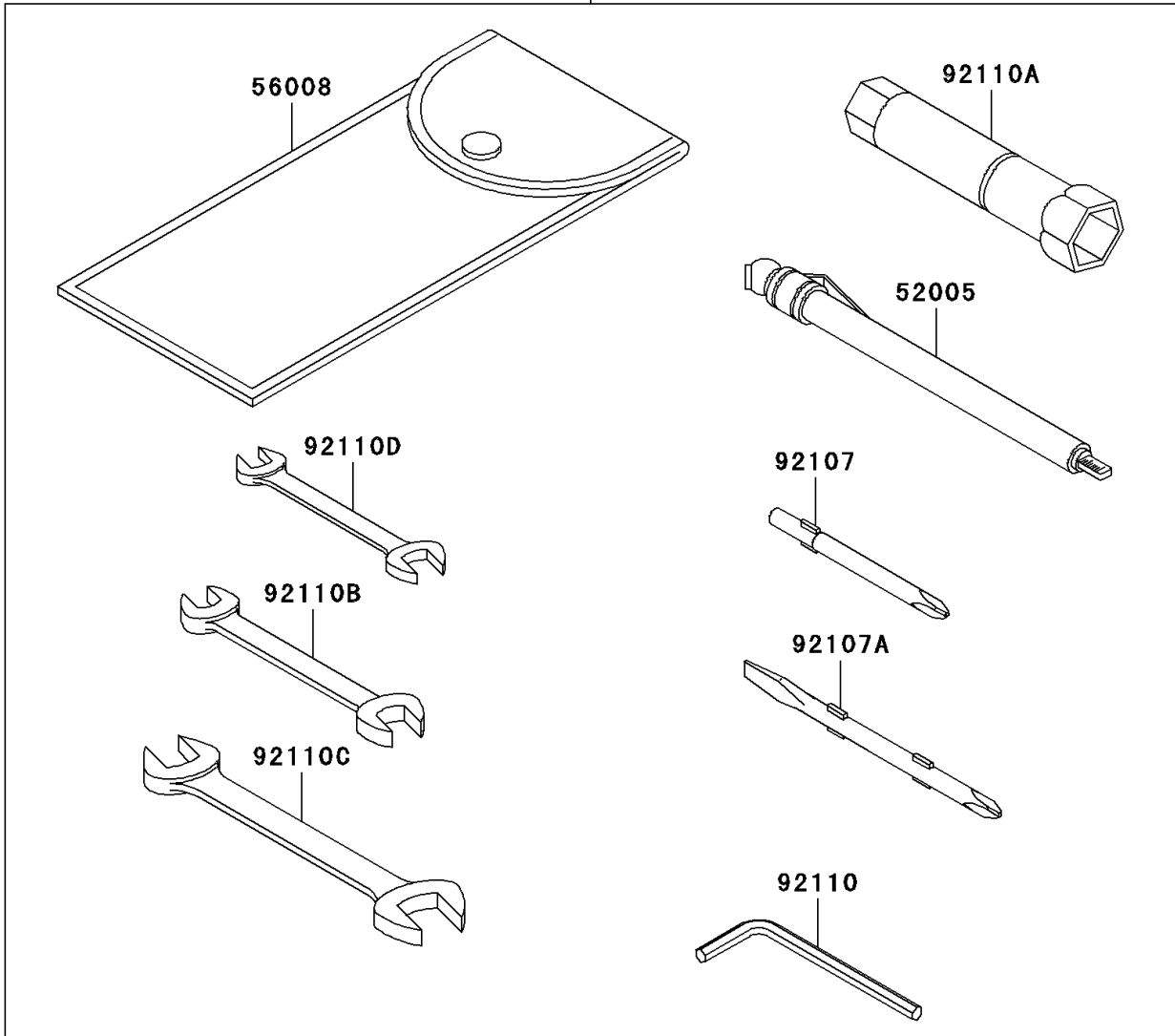


2006 Vulcan 1600 Nomad PARTS DIAGRAM

Owner's Tools

56007

F2810



2006 Vulcan 1600 Nomad PARTS LIST

Owner's Tools

ITEM NAME	PART NUMBER	QUANTITY
GAUGE,AIR,350KPA/50PSI (Ref # 52005)	52005-1142	1
TOOL-KIT (Ref # 56007)	56007-0022	1
BAG,TOOL (Ref # 56008)	56008-1075	1
THREE BOND TB1211,HT/RS,WHITE (Ref # 56019)	56019-120	1
GASKET-LIQUID,TB1211F (Ref # 92104)	92104-0004	1
GASKET-LIQUID,BLACK,TB1105 (Ref # 92104A)	92104-1003	1
GASKET-LIQUID,TB1216,GRAY (Ref # 92104B)	92104-1063	1
GASKET-LIQUID,BLACK TB1216B (Ref # 92104C)	92104-1064	1
TOOL-DRIVER,#3PHILLIPS (Ref # 92107)	92107-1002	1
TOOL-DRIVER,#2PHILLIPS&SLOT (Ref # 92107A)	92107-1052	1
TOOL-WRENCH,ALLEN,5MM (Ref # 92110)	92110-1015	1
TOOL-WRENCH,BOX,18MM (Ref # 92110A)	92110-1135	1
TOOL-WRENCH,OPEN END,10X12 (Ref # 92110B)	92110-1165	1
TOOL-WRENCH,OPEN END,14X17 (Ref # 92110C)	92110-1166	1
TOOL-WRENCH,OPEN END,8X10 (Ref # 92110D)	92110-1167	1