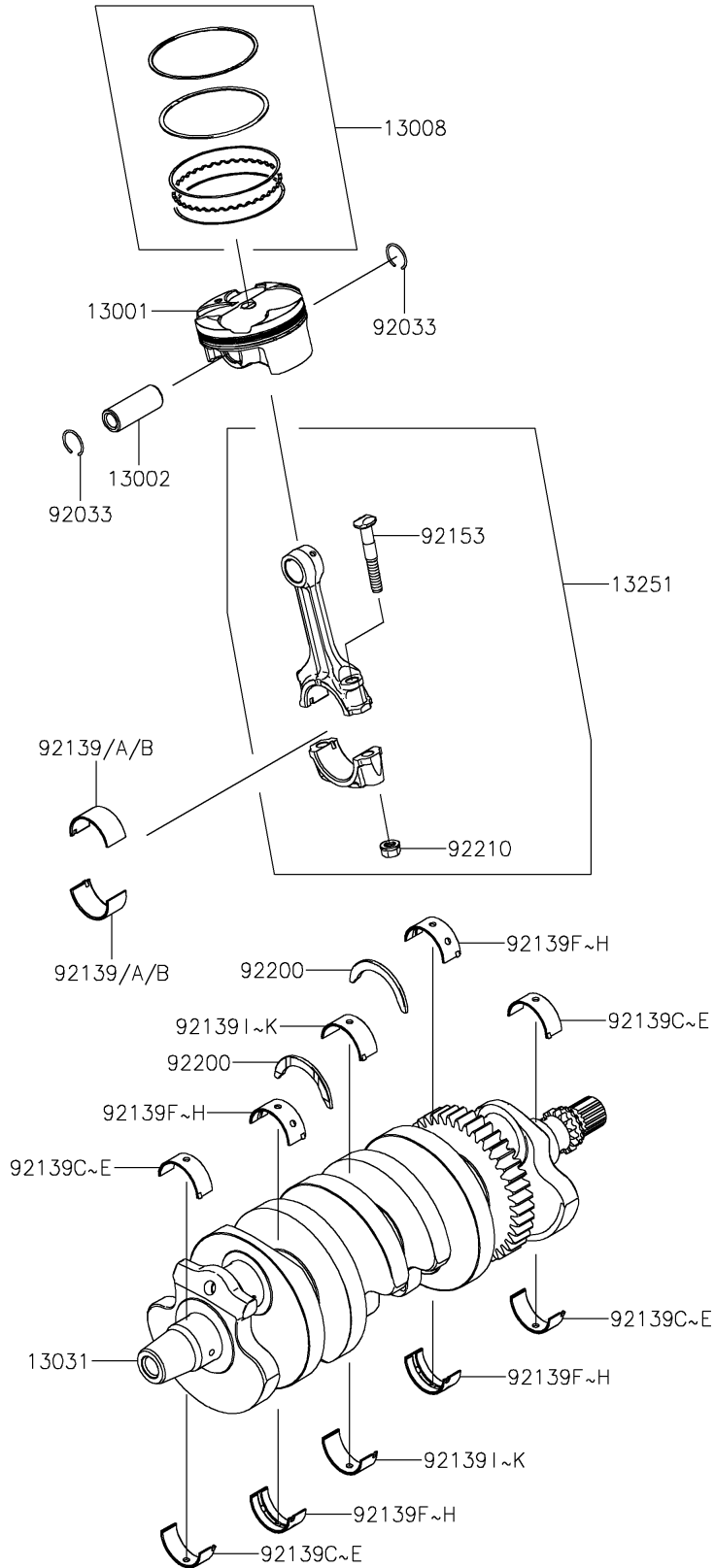


2021 Ninja® ZX™ -6R PARTS DIAGRAM

Crankshaft/Piston(s)

E1320



2021 Ninja® ZX™ -6R PARTS LIST

Crankshaft/Piston(s)

| ITEM NAME | PART NUMBER | QUANTITY |
|--|---------------|----------|
| PISTON-ENGINE (Ref # 13001) | 13001-0735 | 4 |
| PIN-PISTON (Ref # 13002) | 13002-0037 | 4 |
| RING-SET-PISTON (Ref # 13008) | 13008-0035 | 4 |
| CRANKSHAFT-COMP (Ref # 13031) | 13031-0957 | 1 |
| ROD-ASSY-CONNECTING,J (Ref # 13251) | 13251-0717-JJ | 4 |
| RING-SNAP,PISTON PIN (Ref # 92033) | 92033-1151 | 8 |
| BUSHING,CRANK PIN,BLUE (Ref # 92139) | 92139-0165 | AR |
| BUSHING,CRANK PIN,BLACK (Ref # 92139A) | 92139-0166 | 8 |
| BUSHING,CRANK PIN,BROWN (Ref # 92139B) | 92139-0167 | AR |
| BUSHING,CRANK #1,BLUE (Ref # 92139C) | 92139-0245 | AR |
| BUSHING,CRANK #1,BLACK (Ref # 92139D) | 92139-0246 | 4 |
| BUSHING,CRANK #1,BROWN (Ref # 92139E) | 92139-0247 | AR |
| BUSHING,CRANK #2,BLUE (Ref # 92139F) | 92139-0248 | AR |
| BUSHING,CRANK #2,BLACK (Ref # 92139G) | 92139-0249 | 4 |
| BUSHING,CRANK #2,BROWN (Ref # 92139H) | 92139-0250 | AR |
| BUSHING,CRANK #3,PURPLE (Ref # 92139I) | 92139-0251 | AR |
| BUSHING,CRANK #3,GREEN (Ref # 92139J) | 92139-0252 | 2 |
| BUSHING,CRANK #3,YELLOW (Ref # 92139K) | 92139-0253 | AR |
| BOLT,7MM (Ref # 92153) | 92153-1172 | 8 |
| WASHER,T=2.5 (Ref # 92200) | 92200-0383 | 2 |
| NUT,CONNECTING ROD,7MM (Ref # 92210) | 92210-0384 | 8 |