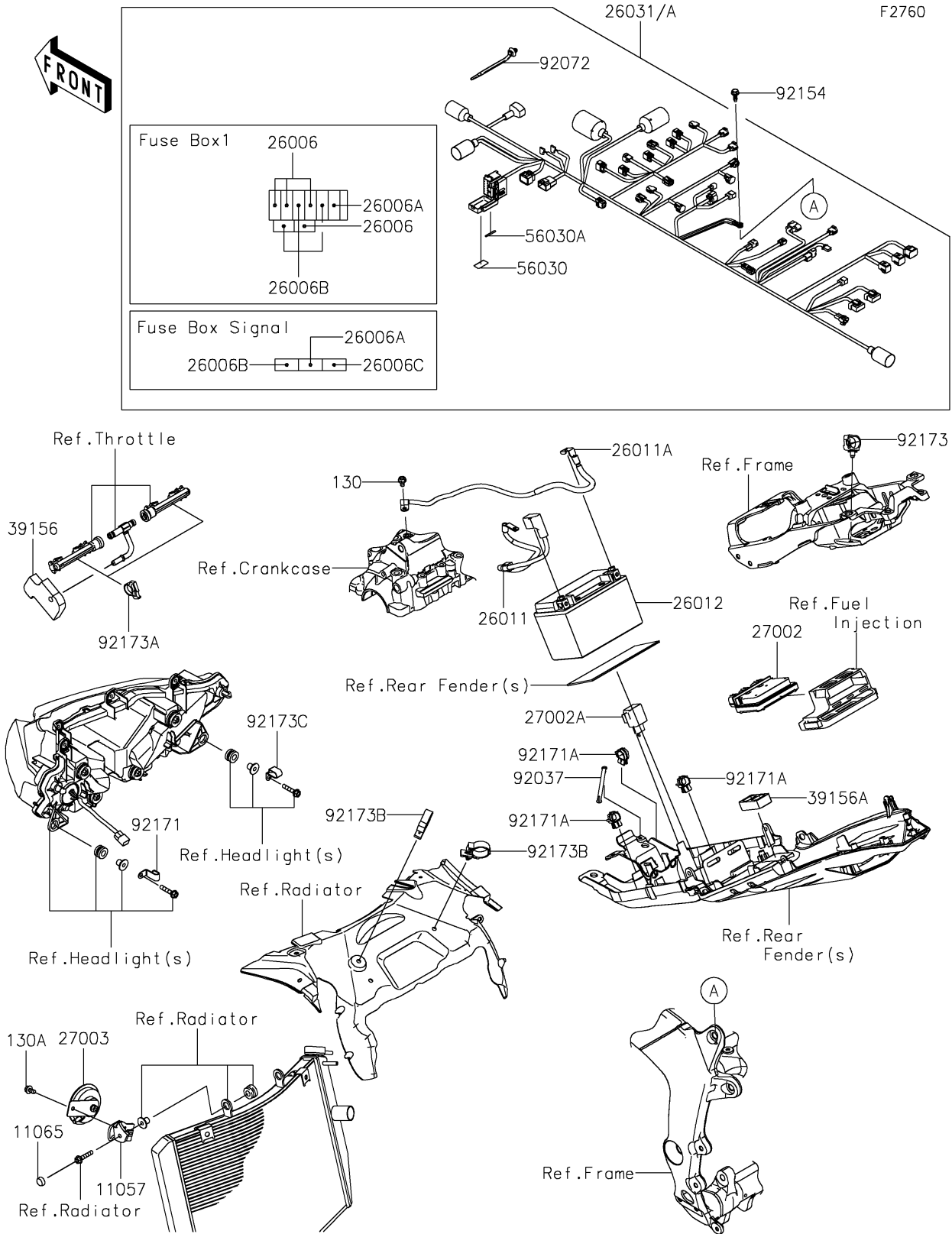


2021 Ninja® ZX™ -6R PARTS DIAGRAM

Chassis Electrical Equipment



2021 Ninja® ZX™ -6R PARTS LIST

Chassis Electrical Equipment

| ITEM NAME | PART NUMBER | QUANTITY |
|---|-------------|----------|
| BRACKET,HORN (Ref # 11057) | 11057-2410 | 1 |
| CAP,BOLT (Ref # 11065) | 11065-0752 | 1 |
| FUSE,MINI BLADE,15A,BLUE (Ref # 26006) | 26006-0001 | 4 |
| FUSE,MINI BLADE,2A,GRAY (Ref # 26006A) | 26006-0052 | 2 |
| FUSE,MINI BLADE,7.5A,BROWN (Ref # 26006B) | 26006-0055 | 4 |
| FUSE,MINI BLADE,30A,GREEN (Ref # 26006C) | 26006-1080 | 1 |
| WIRE-LEAD,BATTERY(+) (Ref # 26011) | 26011-1857 | 1 |
| WIRE-LEAD,BATTERY(-) (Ref # 26011A) | 26011-1859 | 1 |
| BATTERY,YTX9-BS,12V 8AH (Ref # 26012) | 26012-0838 | 1 |
| HARNESS,MAIN (Ref # 26031) | 26031-2615 | 1 |
| RELAY-ASSY (Ref # 27002) | 27002-0050 | 1 |
| RELAY-ASSY,SIGNAL LAMP (Ref # 27002A) | 27002-1097 | 1 |
| HORN (Ref # 27003) | 27003-0140 | 1 |
| PAD,T15 (Ref # 39156) | 39156-0962 | 1 |
| PAD,32X52X15 (Ref # 39156A) | 39156-2146 | 1 |
| LABEL,FUSE BOX1 (Ref # 56030) | 56030-1417 | 1 |
| LABEL,FUSE BOX SIGNAL (Ref # 56030A) | 56030-1418 | 1 |
| CLAMP,SPEED,L=80.5 (Ref # 92037) | 92037-1903 | 1 |
| BAND,OS170-FT7(BLACK) (Ref # 92072) | 92072-1414 | AR |
| BOLT,FLANGED,6X16 (Ref # 92154) | 92154-0551 | 1 |
| CLAMP (Ref # 92171) | 92171-0926 | 1 |
| CLAMP,EDGE CLIP (Ref # 92171A) | 92171-1722 | 3 |
| CLAMP (Ref # 92173) | 92173-0861 | 1 |
| CLAMP,SNAPPER (Ref # 92173A) | 92173-0970 | 2 |
| CLAMP,CABLE,28MM (Ref # 92173B) | 92173-1062 | 2 |
| CLAMP (Ref # 92173C) | 92173-1891 | 1 |
| BOLT-FLANGED,6X10 (Ref # 130) | 130BA0610 | 1 |
| BOLT-FLANGED,6X12 (Ref # 130A) | 130CA0612 | 1 |