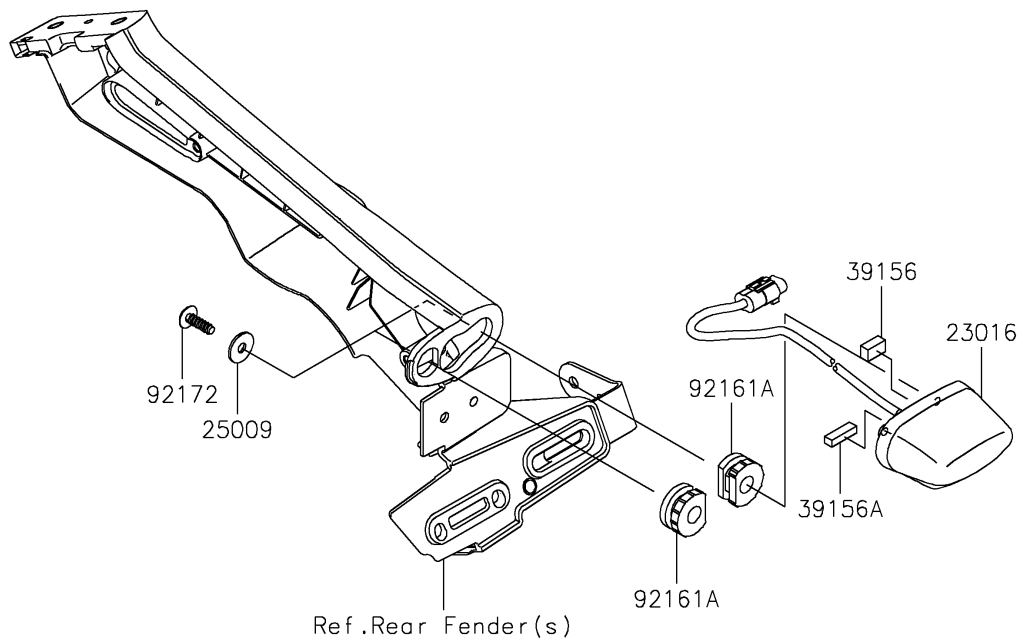
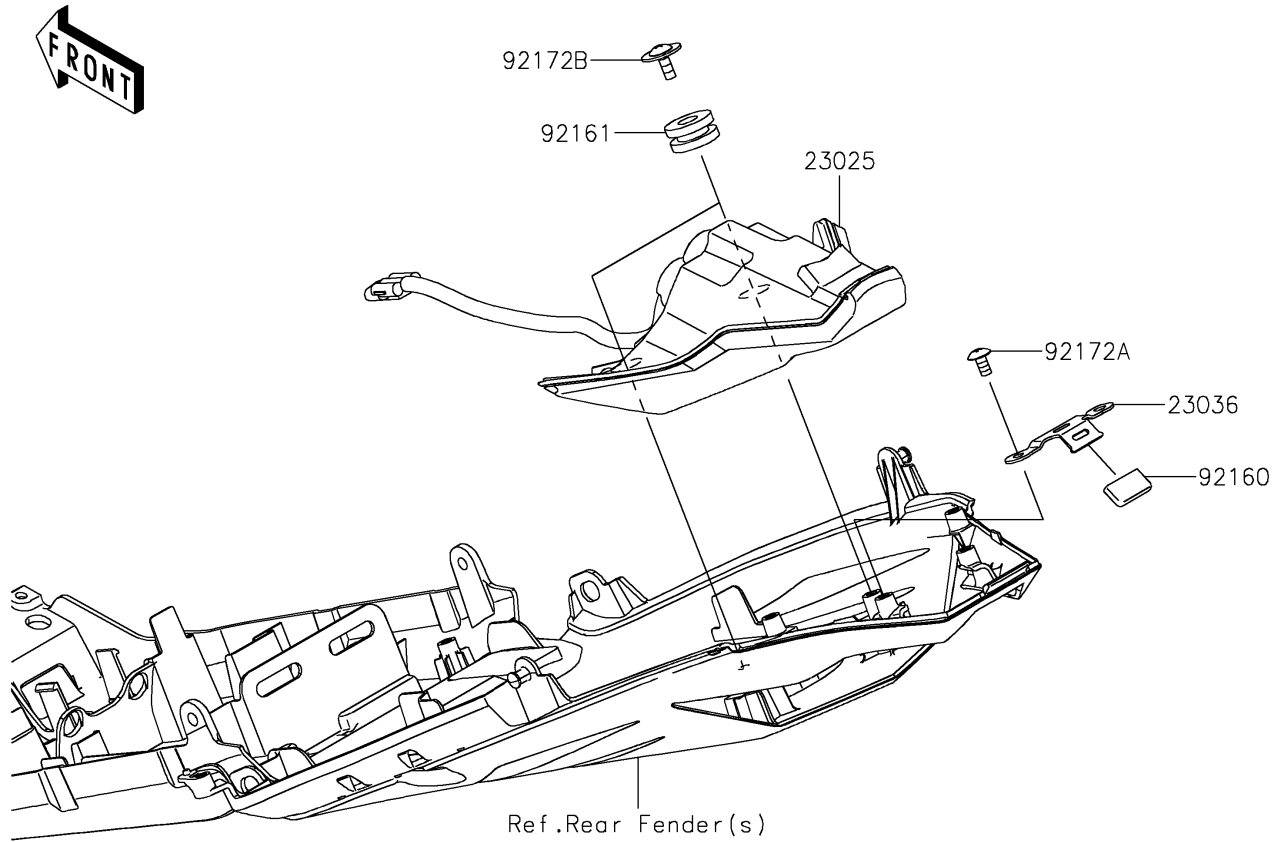


2022 Ninja ZX-6R ABS PARTS DIAGRAM

Taillight(s)

F2720



2022 Ninja ZX-6R ABS PARTS LIST

Taillight(s)

| ITEM NAME | PART NUMBER | QUANTITY |
|--------------------------------------|-------------|----------|
| LAMP-ASSY,LICENSE,LED (Ref # 23016) | 23016-0637 | 1 |
| LAMP-TAIL,LED (Ref # 23025) | 23025-0385 | 1 |
| BRACKET-TAIL LAMP (Ref # 23036) | 23036-0026 | 1 |
| WASHER,5.2X16X1.2 (Ref # 25009) | 25009-004 | 2 |
| PAD,7X12X5 (Ref # 39156) | 39156-2292 | 1 |
| PAD,4X17X5 (Ref # 39156A) | 39156-2293 | 1 |
| DAMPER (Ref # 92160) | 92160-1190 | 1 |
| DAMPER (Ref # 92161) | 92161-0163 | 2 |
| DAMPER,9X23X12 (Ref # 92161A) | 92161-1885 | 2 |
| SCREW,TAPPING,5X16 (Ref # 92172) | 92172-0238 | 2 |
| SCREW,TAPPING,5X10 (Ref # 92172A) | 92172-0262 | 2 |
| SCREW,TAPPING,WP,5X14 (Ref # 92172B) | 92172-0441 | 2 |