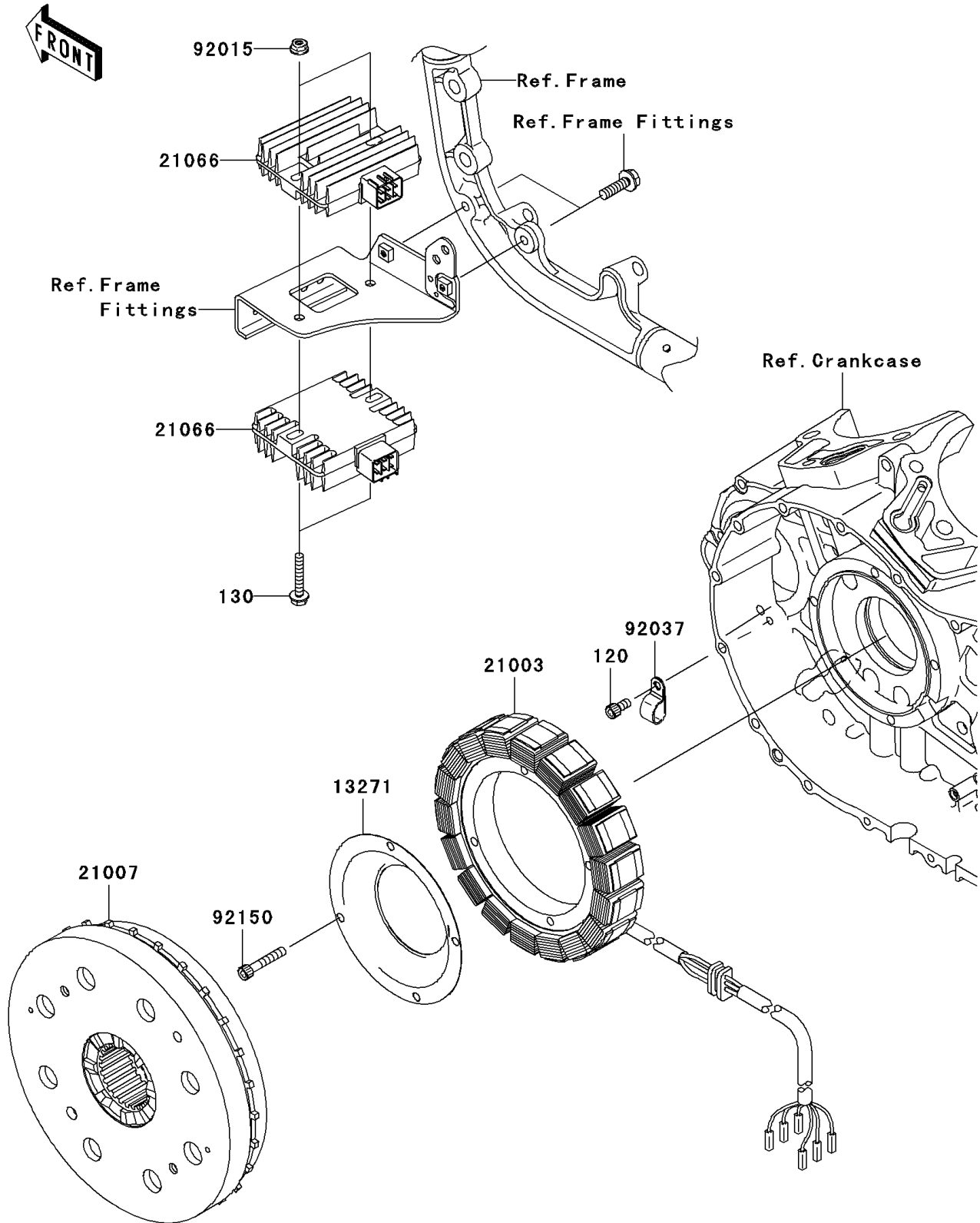


2005 Vulcan 2000 PARTS DIAGRAM

Generator(A2)

E1810A



2005 Vulcan 2000 PARTS LIST

Generator(A2)

ITEM NAME	PART NUMBER	QUANTITY
BOLT-SOCKET,6X12 (Ref # 120)	120R0612	1
BOLT-FLANGED,6X40 (Ref # 130)	130L0640	2
PLATE (Ref # 13271)	13271-0066	1
STATOR (Ref # 21003)	21003-0029	1
ROTOR (Ref # 21007)	21007-0047	1
REGULATOR-VOLTAGE (Ref # 21066)	21066-0012	2
NUT,6MM (Ref # 92015)	92015-1386	2
CLAMP (Ref # 92037)	92037-1608	1
BOLT,SOCKET,6X35 (Ref # 92150)	92150-1484	4