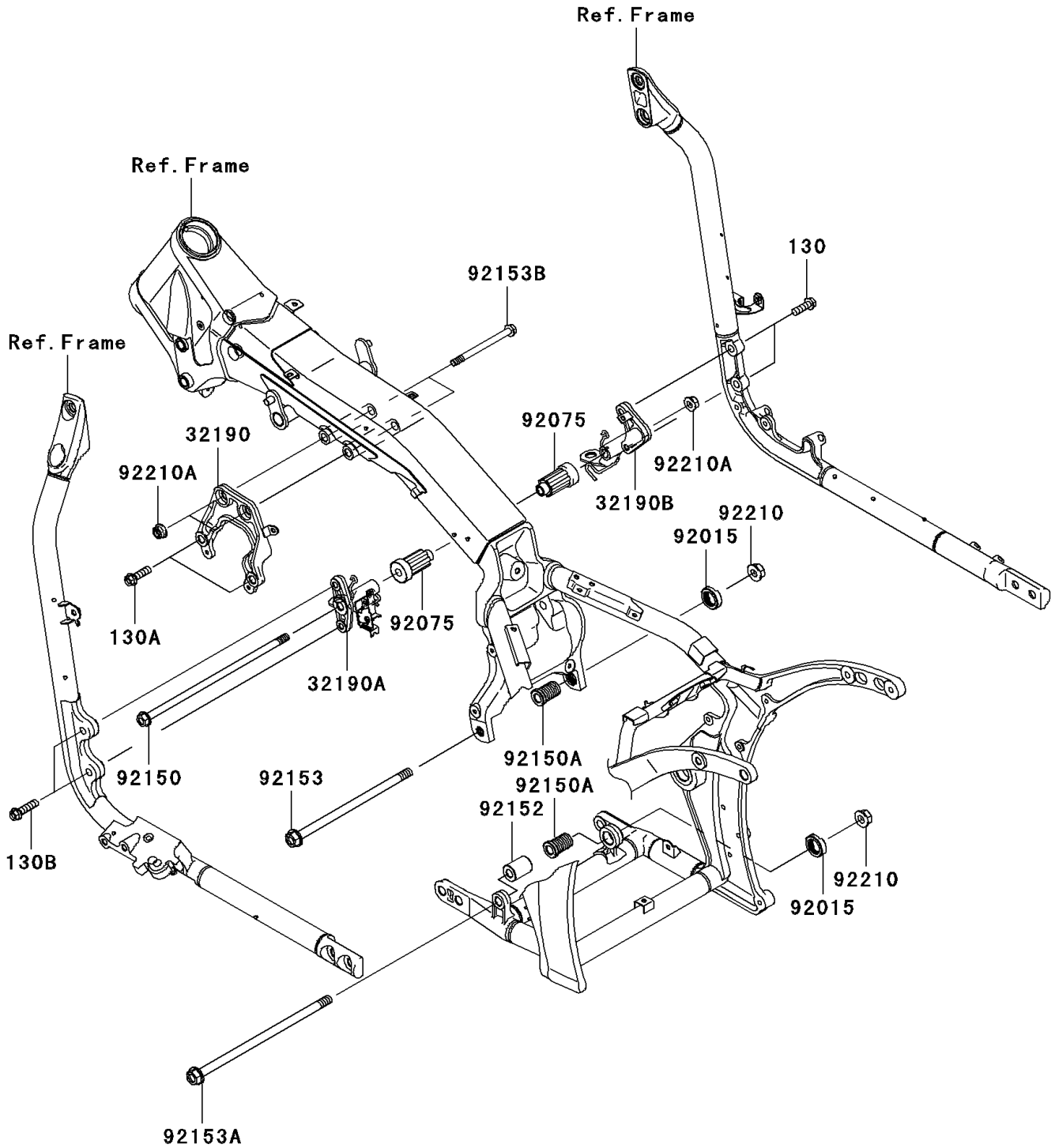


# 2004 Vulcan 2000 PARTS DIAGRAM

Engine Mount(A1)

F2122



## 2004 Vulcan 2000 PARTS LIST

### Engine Mount(A1)

ITEM NAME	PART NUMBER	QUANTITY
BOLT-FLANGED,10X30 (Ref # 130)	130L1030	2
BOLT-FLANGED,10X35 (Ref # 130A)	130L1035	2
BOLT-FLANGED,10X40 (Ref # 130B)	130L1040	2
BRACKET-ENGINE,UPP (Ref # 32190)	32190-0054	1
BRACKET-ENGINE,FR,LH (Ref # 32190A)	32190-0116	1
BRACKET-ENGINE,FR,RH (Ref # 32190B)	32190-0117	1
NUT,ENGINE MOUNT,22MM (Ref # 92015)	92015-1846	2
DAMPER,ENGINE MOUNT,MAIN (Ref # 92075)	92075-1739	2
BOLT,FLANGED,10X295 (Ref # 92150)	92150-1223	1
BOLT,ENGINE MOUNT,22X38 (Ref # 92150A)	92150-1471	2
COLLAR,12.5X26X35.5 (Ref # 92152)	92152-0056	1
BOLT,FLANGED,12X237 (Ref # 92153)	92153-0390	1
BOLT,FLANGED,12X275 (Ref # 92153A)	92153-0391	1
BOLT,FLANGED,10X117 (Ref # 92153B)	92153-0664	2
NUT,LOCK,FLANGED,12MM (Ref # 92210)	92210-0110	2
NUT,LOCK,FLANGED,10MM (Ref # 92210A)	92210-1081	3