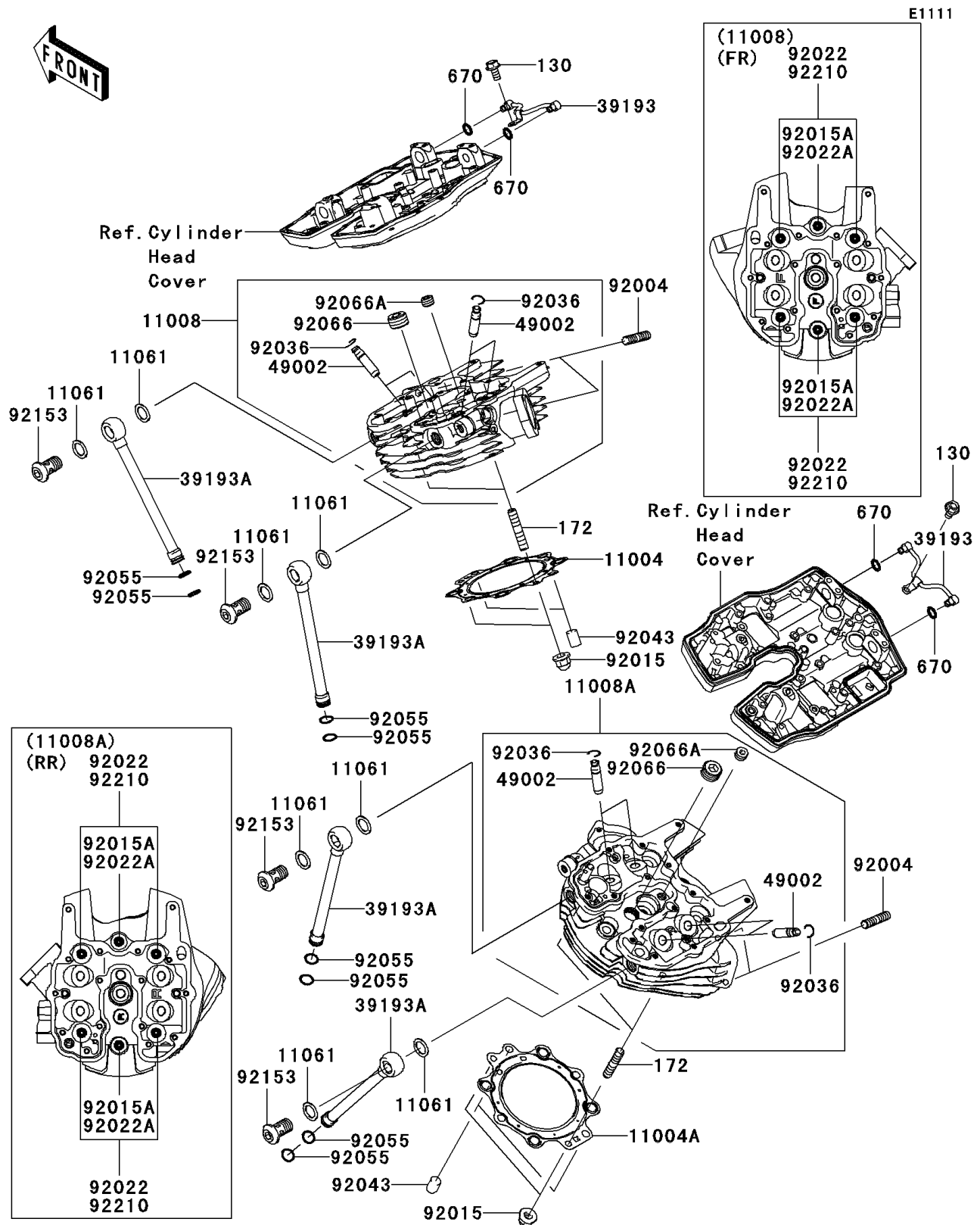


2006 Vulcan 2000 PARTS DIAGRAM

Cylinder Head



2006 Vulcan 2000 PARTS LIST

Cylinder Head

ITEM NAME	PART NUMBER	QUANTITY
BOLT-FLANGED,6X12 (Ref # 130)	130H0612	2
BOLT-STUD,8X25 (Ref # 172)	172G0825	4
O RING (Ref # 670)	670D1505	4
GASKET-HEAD,FR (Ref # 11004)	11004-0001	1
GASKET-HEAD,RR (Ref # 11004A)	11004-0002	1
HEAD-COMP-CYLINDER,FR (Ref # 11008)	11008-0032	1
HEAD-COMP-CYLINDER,RR (Ref # 11008A)	11008-0033	1
GASKET,OIL PIPE (Ref # 11061)	11061-0110	8
PIPE-OIL,ROCKER SHAFT (Ref # 39193)	39193-0019	2
PIPE-OIL,HEAD-CYLINDER (Ref # 39193A)	39193-0024	4
GUIDE-VALVE (Ref # 49002)	49002-0008	AR
STUD,8X22 (Ref # 92004)	92004-1249	4
NUT,CAP,8MM (Ref # 92015)	92015-1370	4
NUT,FLANGED,10MM (Ref # 92015A)	92015-1727	4
WASHER,12.3X25X3.2 (Ref # 92022)	92022-1293	8
WASHER,10.2X20X1.5 (Ref # 92022A)	92022-3742	4
RING-SNAP,VALVE GUIDE (Ref # 92036)	92036-023	8
PIN (Ref # 92043)	92043-1506	4
RING-O,14.8X1.9 (Ref # 92055)	92055-0005	8
PLUG,PT1/2X12.5 (Ref # 92066)	92066-0002	2
PLUG,PT1/4X8.9 (Ref # 92066A)	92066-1260	2
BOLT (Ref # 92153)	92153-0363	4
NUT,12MM (Ref # 92210)	92210-0115	8