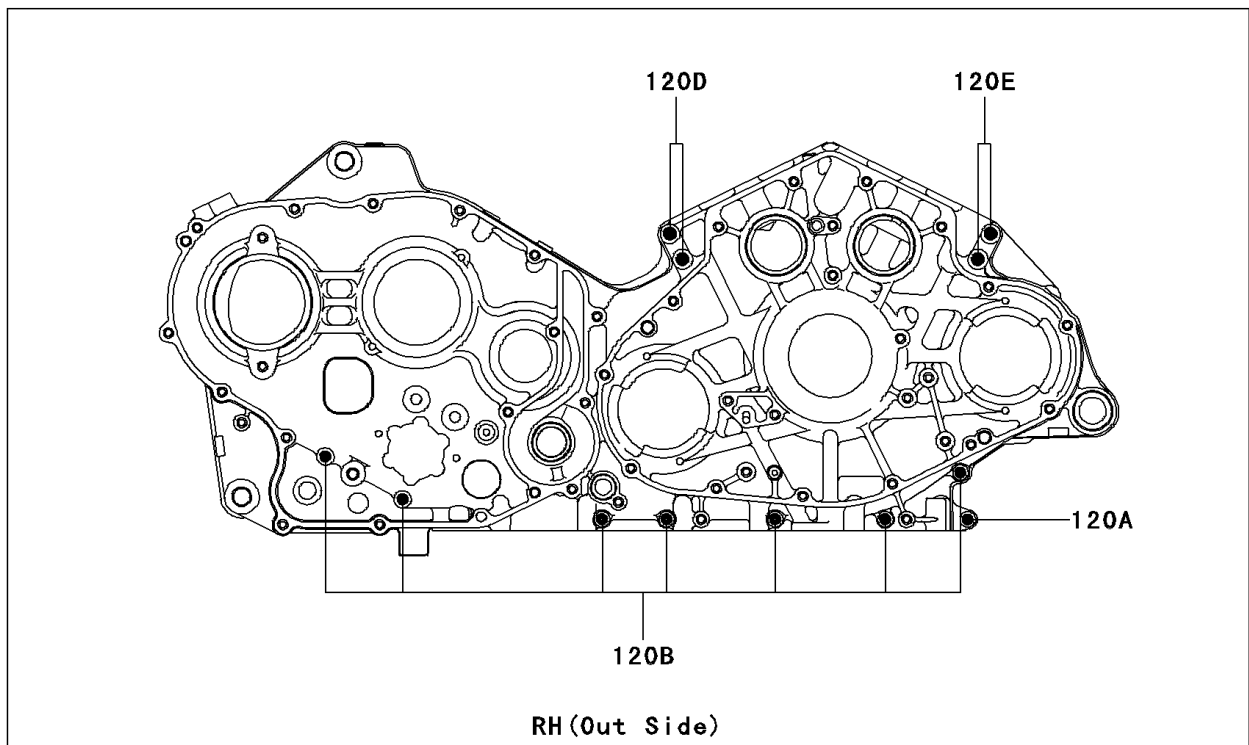
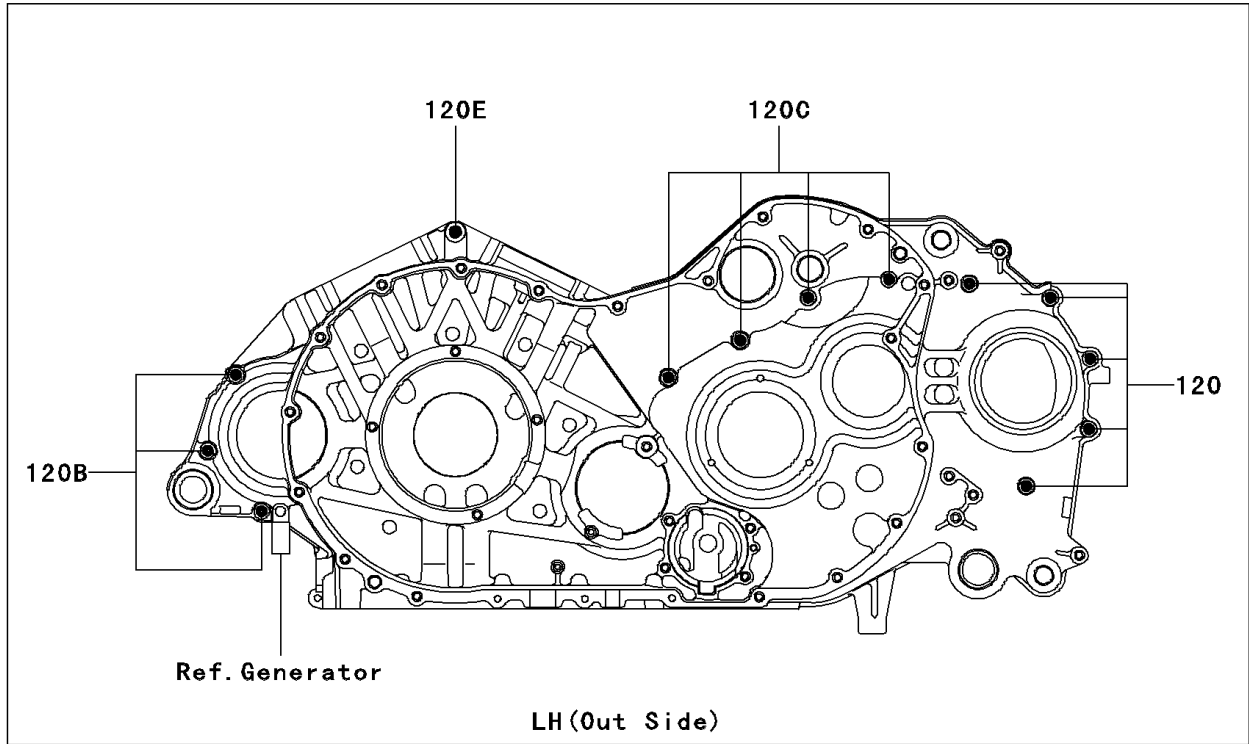


2006 Vulcan 2000 PARTS DIAGRAM

Crankcase Bolt Pattern

E1412



2006 Vulcan 2000 PARTS LIST

Crankcase Bolt Pattern

ITEM NAME	PART NUMBER	QUANTITY
-----------	-------------	----------