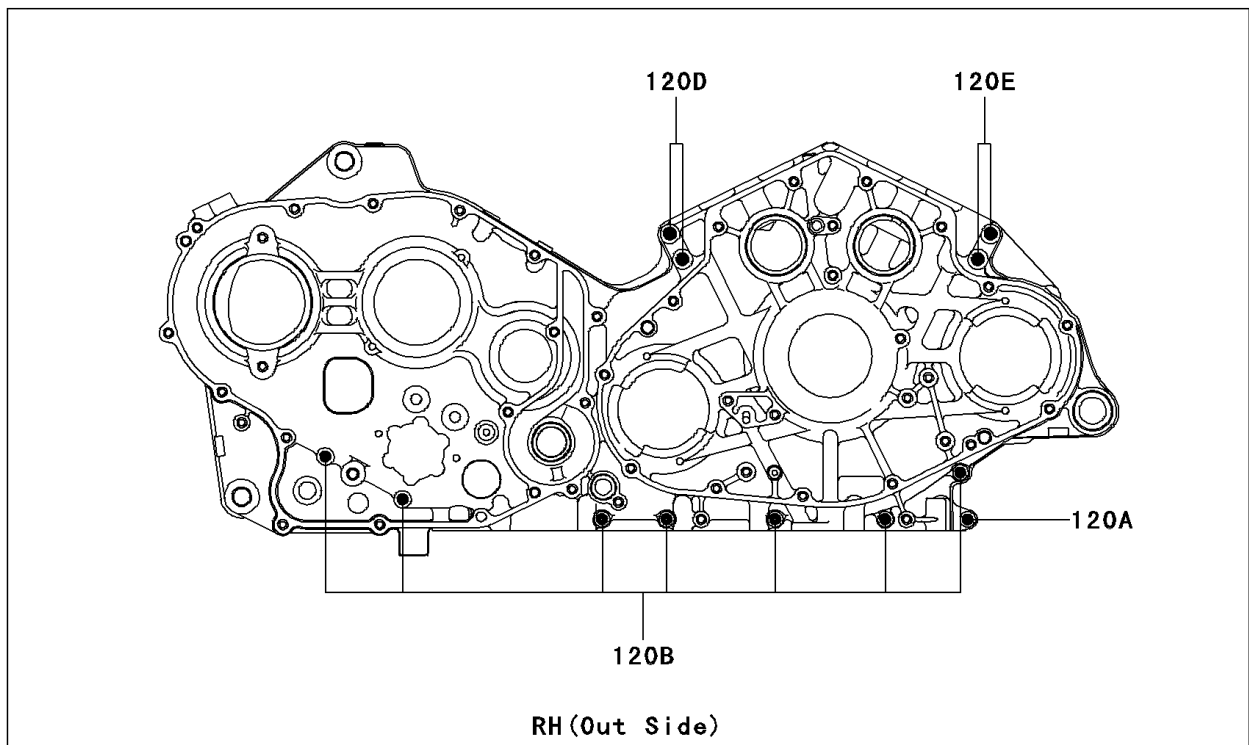
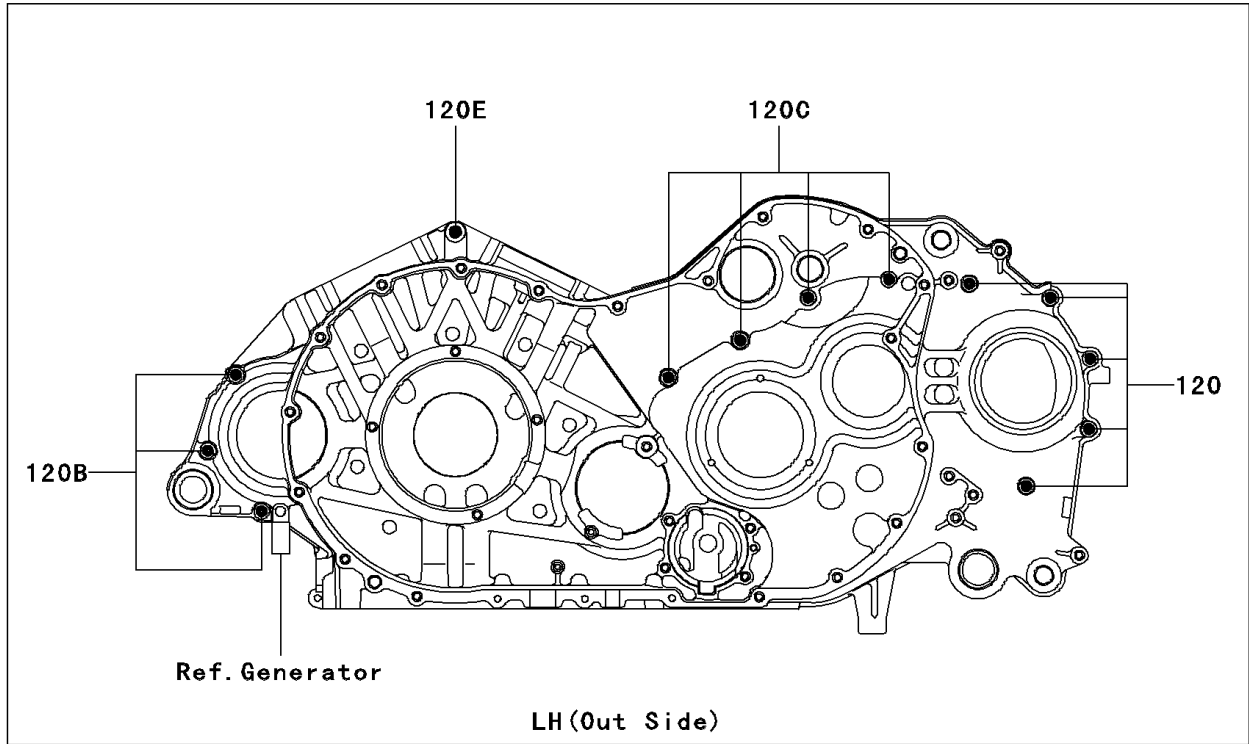


# 2007 Vulcan 2000 PARTS DIAGRAM

## Crankcase Bolt Pattern

E1412



## 2007 Vulcan 2000 PARTS LIST

### Crankcase Bolt Pattern

| ITEM NAME                     | PART NUMBER | QUANTITY |
|-------------------------------|-------------|----------|
| BOLT-SOCKET,6X120 (Ref # 120) | 120R06120   | 5        |
| BOLT-SOCKET,6X30 (Ref # 120A) | 120R0630    | 1        |
| BOLT-SOCKET,6X75 (Ref # 120B) | 120R0675    | 10       |
| BOLT-SOCKET,6X95 (Ref # 120C) | 120R0695    | 4        |
| BOLT-SOCKET,8X85 (Ref # 120D) | 120W0885    | 2        |
| BOLT-SOCKET,8X95 (Ref # 120E) | 120W0895    | 3        |