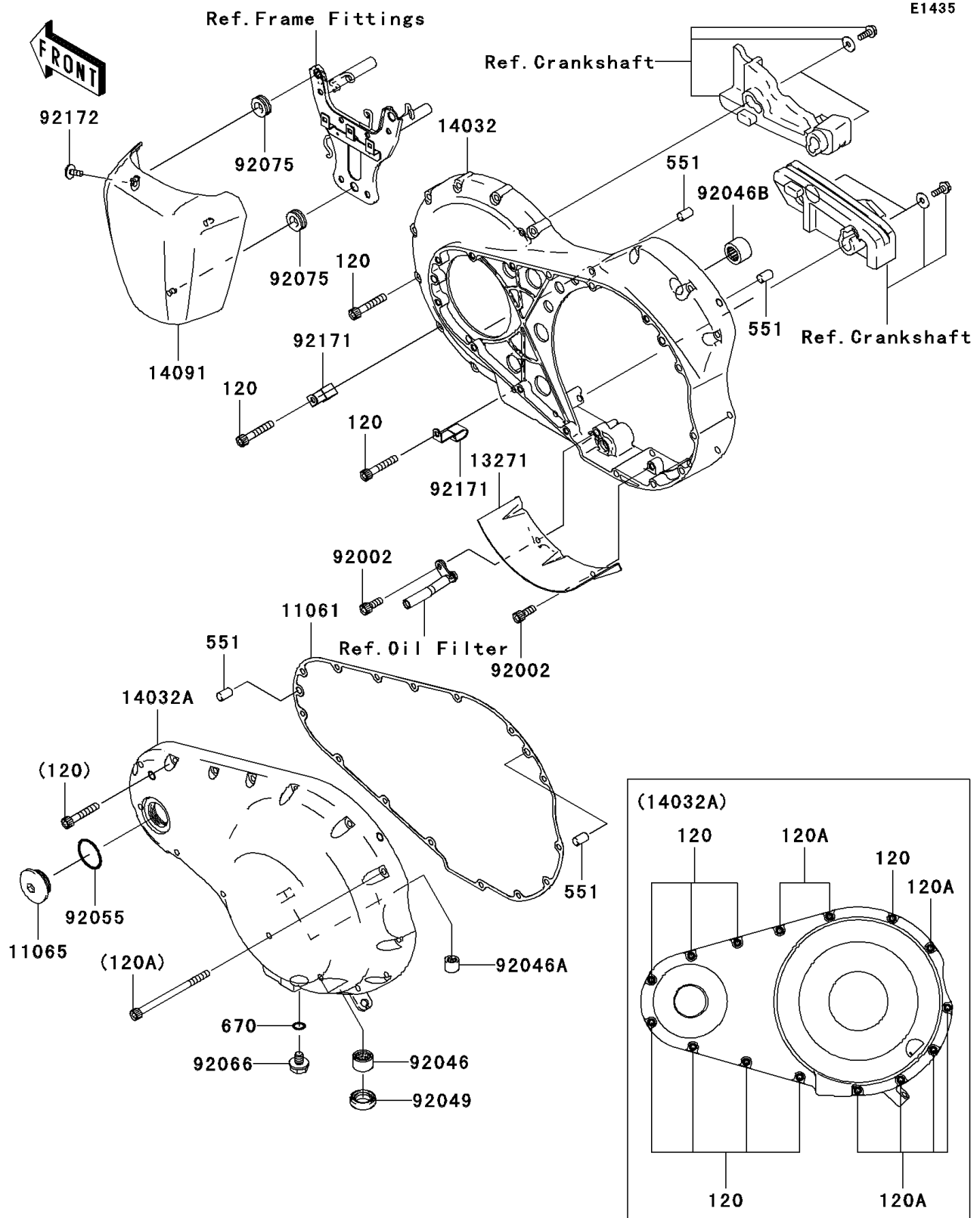


2006 Vulcan 2000 PARTS DIAGRAM

Left Engine Cover(s)



2006 Vulcan 2000 PARTS LIST

Left Engine Cover(s)

ITEM NAME	PART NUMBER	QUANTITY
-----------	-------------	----------