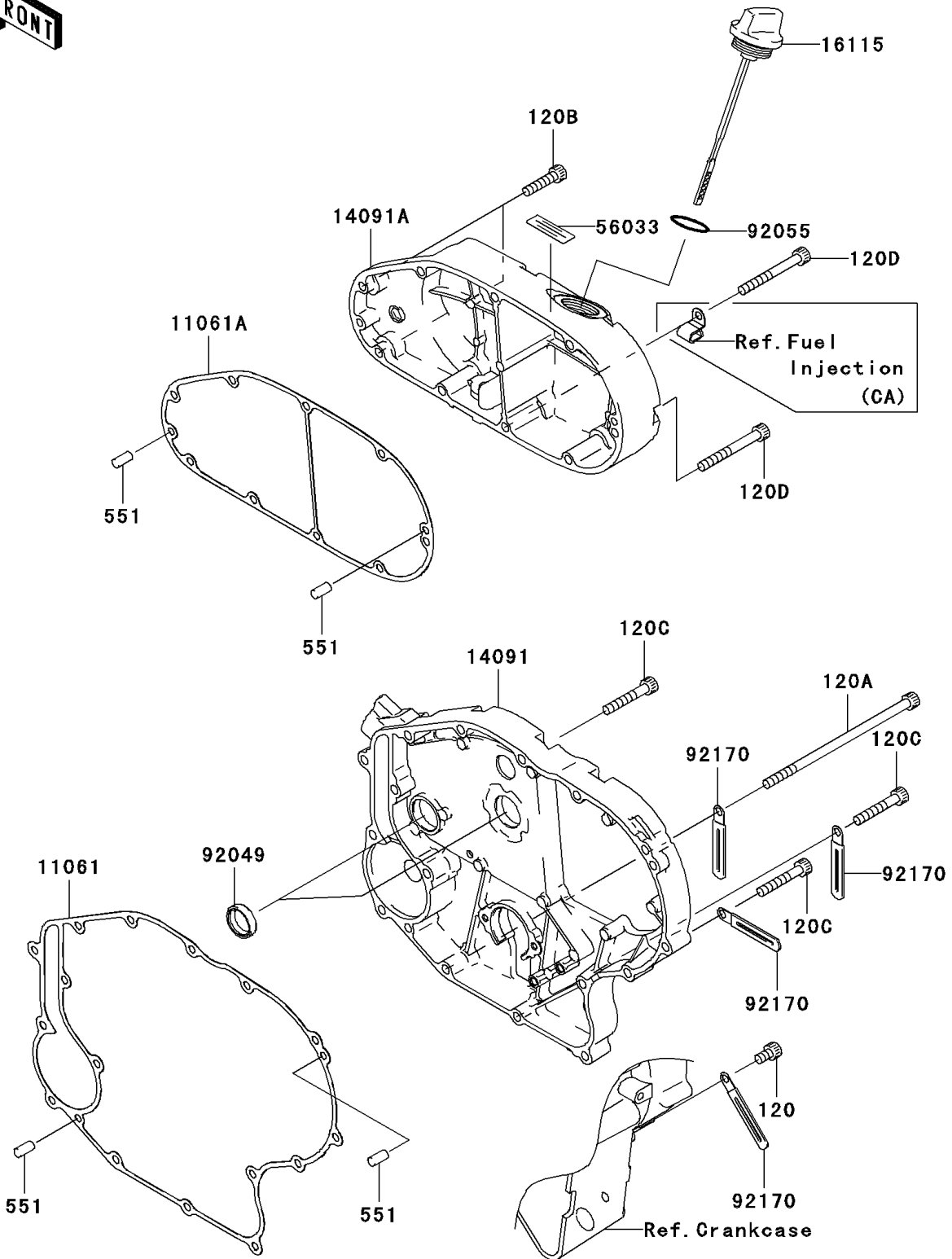


# 2007 Vulcan 2000 PARTS DIAGRAM

Right Engine Cover(s)

E1436



## 2007 Vulcan 2000 PARTS LIST

### Right Engine Cover(s)

| ITEM NAME                                  | PART NUMBER | QUANTITY |
|--|-------------|----------|
| BOLT-SOCKET,6X10 (Ref # 120)               | 120R0610    | 1        |
| BOLT-SOCKET,6X125 (Ref # 120A)             | 120R06125   | 1        |
| BOLT-SOCKET,6X25 (Ref # 120B)              | 120R0625    | 2        |
| BOLT-SOCKET,6X35 (Ref # 120C)              | 120R0635    | 15       |
| BOLT-SOCKET,6X50 (Ref # 120D)              | 120R0650    | 7        |
| PIN-DOWEL,6X12 (Ref # 551)                 | 551A0612    | 4        |
| GASKET,TRANSMISSION,INSIDE (Ref # 11061)   | 11061-0017  | 1        |
| GASKET,TRANSMISSION,OUTSIDE (Ref # 11061A) | 11061-0018  | 1        |
| COVER,TRANSMISSION,INSIDE (Ref # 14091)    | 14091-0251  | 1        |
| COVER,TRANSMISSION OUTSIDE (Ref # 14091A)  | 14091-0263  | 1        |
| CAP-OIL FILLER (Ref # 16115)               | 16115-0010  | 1        |
| LABEL-MANUAL,OIL CAPACITY (Ref # 56033)    | 56033-0050  | 1        |
| SEAL-OIL,20X26X6 (Ref # 92049)             | 92049-0019  | 2        |
| RING-O,31.7X2.4 (Ref # 92055)              | 92055-049   | 1        |
| CLAMP (Ref # 92170)                        | 92170-1514  | 4        |