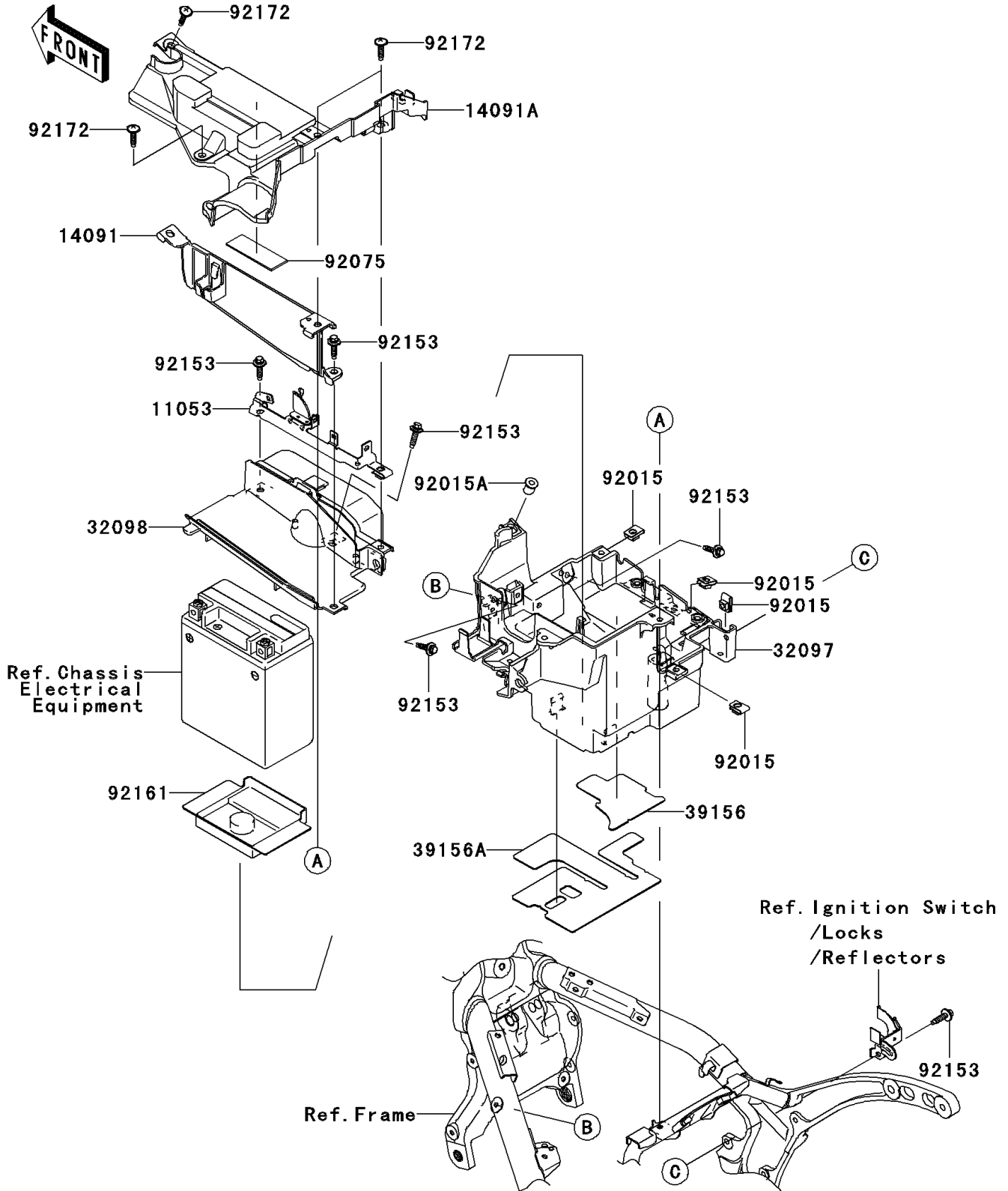


2007 Vulcan 2000 PARTS DIAGRAM

Battery Case

F2132



2007 Vulcan 2000 PARTS LIST

Battery Case

| ITEM NAME | PART NUMBER | QUANTITY |
|-----------------------------------|-------------|----------|
| BRACKET,COUPLER (Ref # 11053) | 11053-0905 | 1 |
| COVER,TOOL CASE (Ref # 14091) | 14091-0172 | 1 |
| COVER,BATTERY (Ref # 14091A) | 14091-0290 | 1 |
| CASE-BATTERY (Ref # 32097) | 32097-0005 | 1 |
| CASE-TOOL (Ref # 32098) | 32098-0007 | 1 |
| PAD,BATTERY CASE (Ref # 39156) | 39156-0047 | 1 |
| PAD,BATTERY CASE (Ref # 39156A) | 39156-0055 | 1 |
| NUT,6MM (Ref # 92015) | 92015-1602 | 4 |
| NUT (Ref # 92015A) | 92015-1700 | 1 |
| DAMPER,BATTERY BAND (Ref # 92075) | 92075-1903 | 1 |
| BOLT,FLANGED,6X26.5 (Ref # 92153) | 92153-0654 | 6 |
| DAMPER,BATTERY (Ref # 92161) | 92161-0114 | 1 |
| SCREW,6X26 (Ref # 92172) | 92172-0137 | 4 |