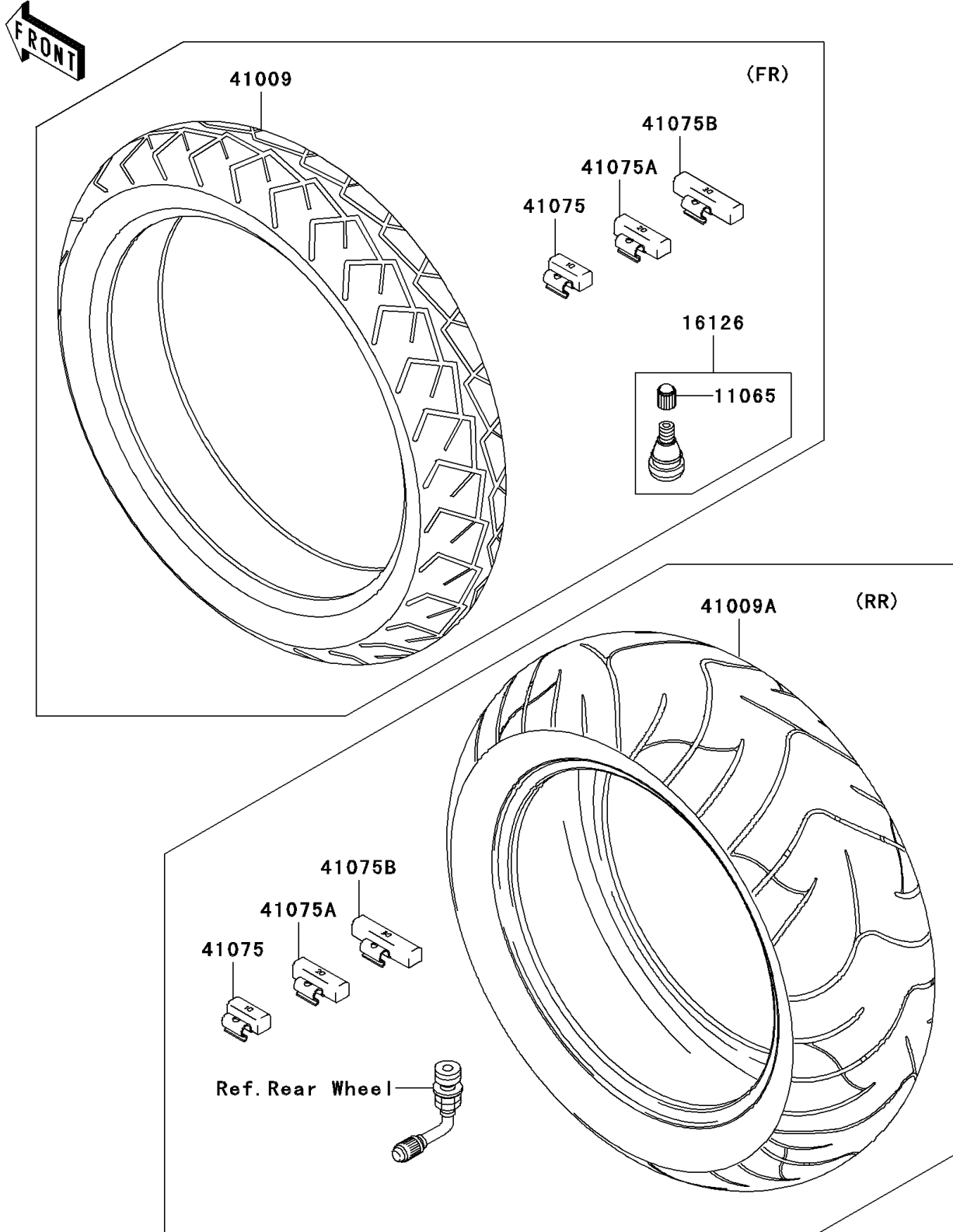


2006 Vulcan 2000 PARTS DIAGRAM

Tires

F2210



2006 Vulcan 2000 PARTS LIST

Tires

ITEM NAME	PART NUMBER	QUANTITY
CAP (Ref # 11065)	11065-1112	1
VALVE,TIRE (Ref # 16126)	16126-1140	1
TIRE,FR,150/80R16 71V,BT020F(B (Ref # 41009)	41009-0012	1
TIRE,RR,200/60R16 79V,BT020R(B (Ref # 41009A)	41009-0013	1
BALANCER-WHEEL,10G,SILVER (Ref # 41075)	41075-0007	AR
BALANCER-WHEEL,20G,SILVER (Ref # 41075A)	41075-0008	AR
BALANCER-WHEEL,30G,SILVER (Ref # 41075B)	41075-0009	AR