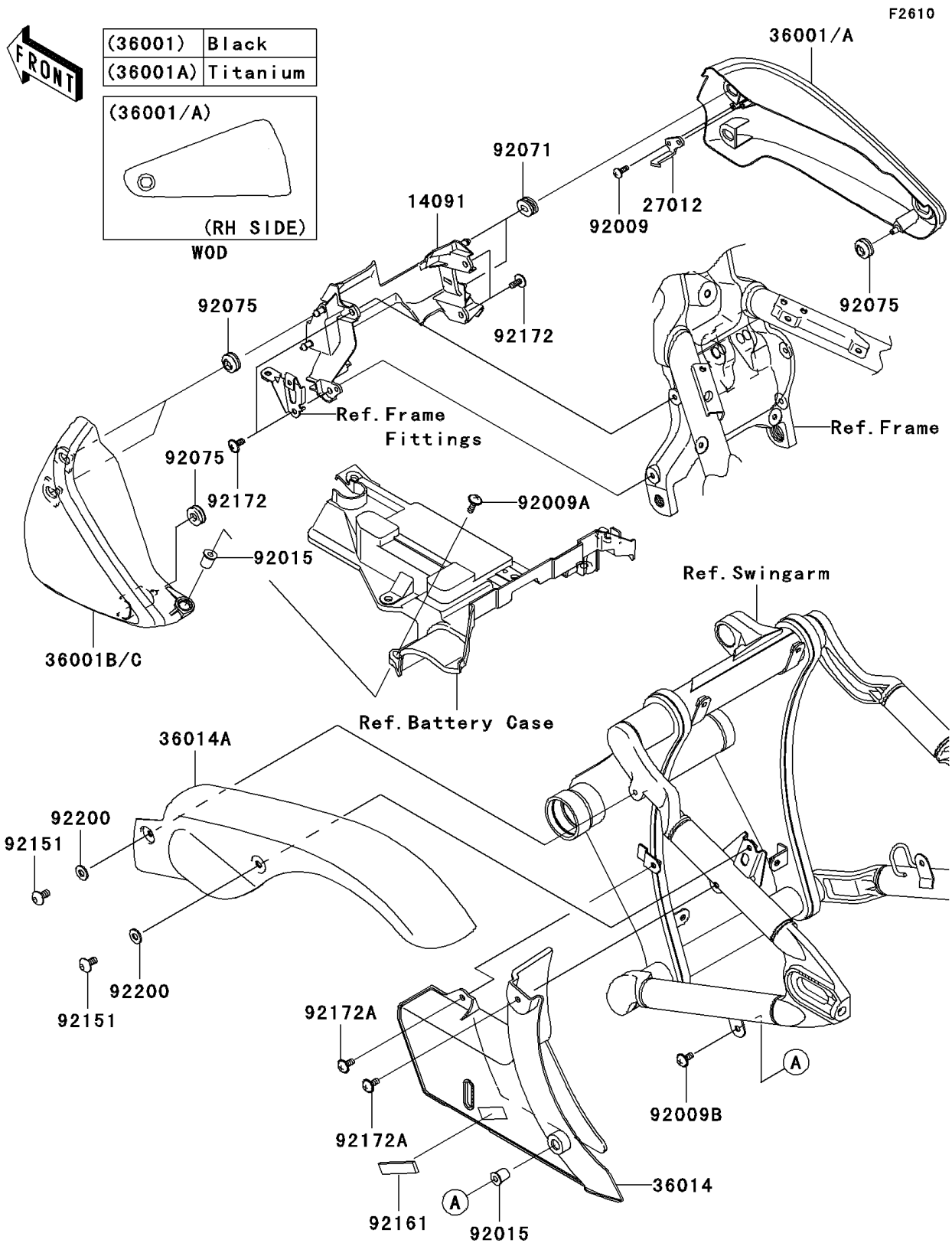


# 2008 Vulcan® 2000 PARTS DIAGRAM

Side Covers/Chain Cover



## 2008 Vulcan® 2000 PARTS LIST

### Side Covers/Chain Cover

ITEM NAME	PART NUMBER	QUANTITY
COVER,SIDE COVER,CNT (Ref # 14091)	14091-0237	1
HOOK,SIDE COVER,RH (Ref # 27012)	27012-0025	1
COVER-SIDE,RH,M.D,BLACK (Ref # 36001)	36001-0031-17K	1
COVER-SIDE,LH,M.D,BLACK (Ref # 36001B)	36001-0035-17K	1
CASE-CHAIN,LWR (Ref # 36014)	36014-0014	1
CASE-CHAIN,UPP (Ref # 36014A)	36014-0026	1
SCREW,TAPPING,4X12,BLACK (Ref # 92009)	92009-1142	2
SCREW,6X25 (Ref # 92009A)	92009-1465	1
SCREW,6X14 (Ref # 92009B)	92009-1662	1
NUT (Ref # 92015)	92015-1700	2
GROMMET (Ref # 92071)	92071-0011	2
DAMPER (Ref # 92075)	92075-1067	4
BOLT,SOCKET,6X12 (Ref # 92151)	92151-1940	2
DAMPER (Ref # 92161)	92161-0124	1
SCREW,6X14 (Ref # 92172)	92172-0004	4
SCREW,6X14 (Ref # 92172A)	92172-0140	2
WASHER,6.5X14.5X1.5 (Ref # 92200)	92200-3775	2