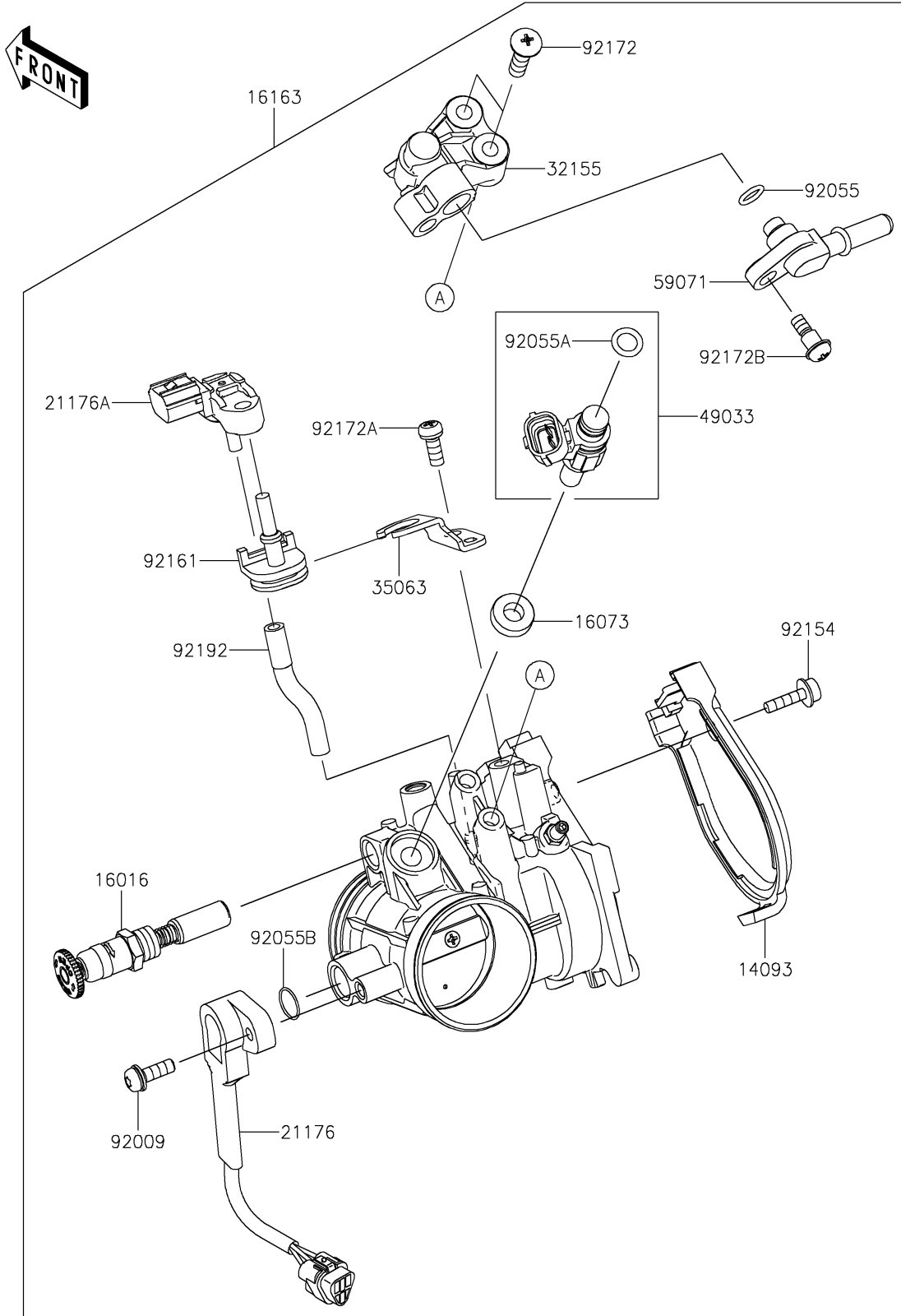


2023 KX™ 450SR PARTS DIAGRAM

Throttle

E1510



2023 KX™ 450SR PARTS LIST

Throttle

| ITEM NAME | PART NUMBER | QUANTITY |
|--|-------------|----------|
| COVER,THROTTLE DUST (Ref # 14093) | 14093-0431 | 1 |
| PLUNGER (Ref # 16016) | 16016-0026 | 1 |
| INSULATOR (Ref # 16073) | 16073-0129 | 1 |
| THROTTLE-ASSY (Ref # 16163) | 16163-1209 | 1 |
| SENSOR,THROTTLE POSITION (Ref # 21176) | 21176-0893 | 1 |
| SENSOR,PRESSURE (Ref # 21176A) | 21176-0906 | 1 |
| PIPE (Ref # 32155) | 32155-3835 | 1 |
| STAY (Ref # 35063) | 35063-1471 | 1 |
| NOZZLE-INJECTION (Ref # 49033) | 49033-0561 | 1 |
| JOINT (Ref # 59071) | 59071-0760 | 1 |
| SCREW,THROTTLE SENSOR (Ref # 92009) | 92009-1981 | 1 |
| RING-O (Ref # 92055) | 92055-0064 | 1 |
| RING-O,INJECTION NOZZLE (Ref # 92055A) | 92055-0124 | 1 |
| RING-O (Ref # 92055B) | 92055-1671 | 1 |
| BOLT (Ref # 92154) | 92154-0133 | 1 |
| DAMPER (Ref # 92161) | 92161-0673 | 1 |
| SCREW,PIPE INJECTION (Ref # 92172) | 92172-0064 | 2 |
| SCREW (Ref # 92172A) | 92172-0393 | 1 |
| SCREW (Ref # 92172B) | 92172-0776 | 1 |
| TUBE (Ref # 92192) | 92192-1642 | 1 |