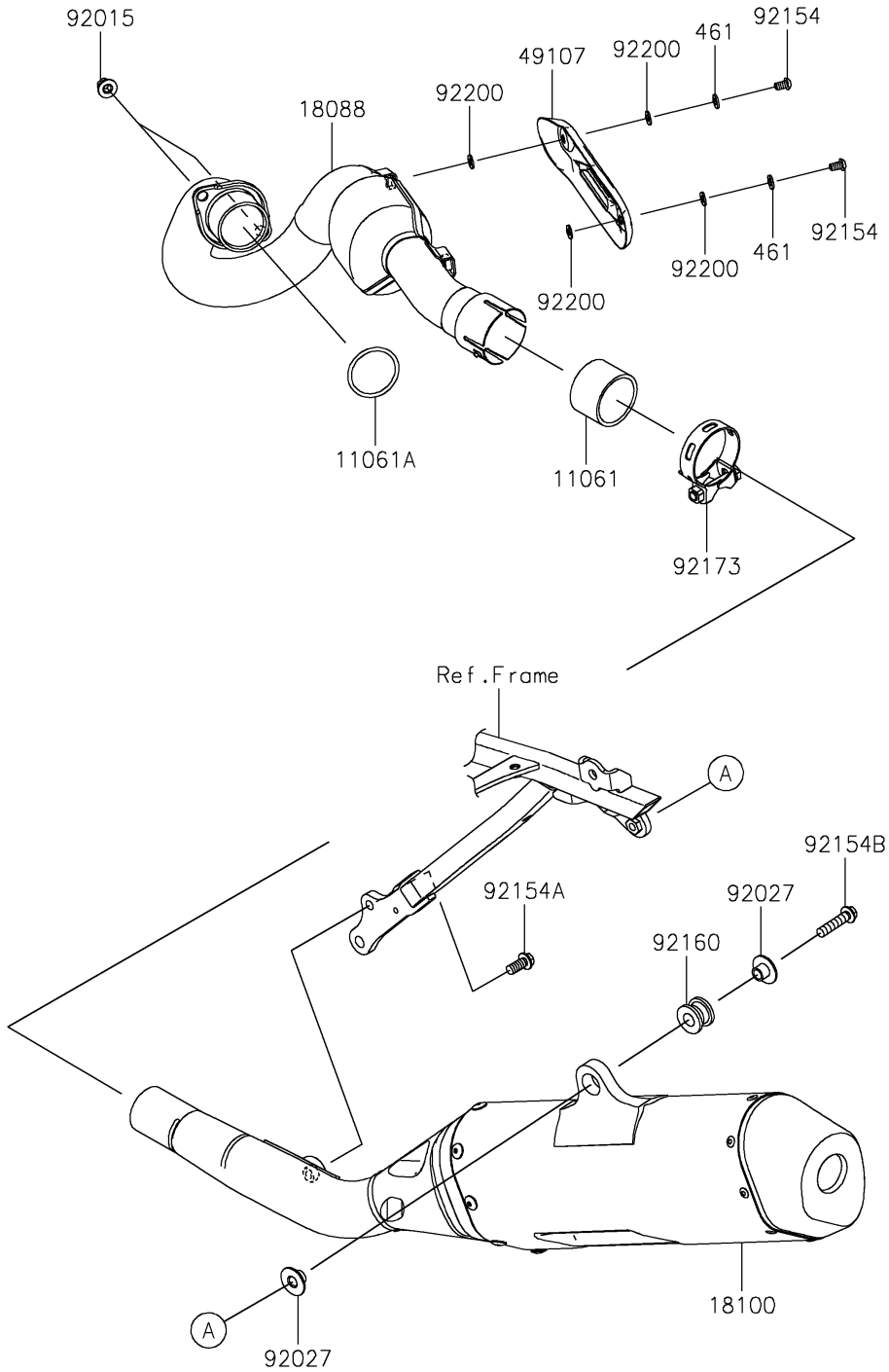


2021 KX™ 450 PARTS DIAGRAM

Muffler(s)

E1140



2021 KX™ 450 PARTS LIST

Muffler(s)

ITEM NAME	PART NUMBER	QUANTITY
GASKET,CONNECTING (Ref # 11061)	11061-1278	1
GASKET,40X46.4X3 (Ref # 11061A)	11061-1297	1
PIPE-EXHAUST (Ref # 18088)	18088-1465	1
BODY-ASSY-MUFFLER (Ref # 18100)	18100-0601	1
COVER-EXHAUST PIPE (Ref # 49107)	49107-0812	1
NUT,8MM (Ref # 92015)	92015-1402	2
COLLAR,FLANGED,8.8X10.6 (Ref # 92027)	92027-1653	2
BOLT,TORX,6X10 (Ref # 92154)	92154-1938	2
BOLT,FLANGED,8X18 (Ref # 92154A)	92154-2984	1
BOLT,FLANGED,8X35 (Ref # 92154B)	92154-2985	1
DAMPER,MUFFLER MOUNT (Ref # 92160)	92160-1116	1
CLAMP (Ref # 92173)	92173-1859	1
WASHER,5.9X12X1.2 (Ref # 92200)	92200-1826	4
WASHER-SPRING,6MM (Ref # 461)	461S0600	2