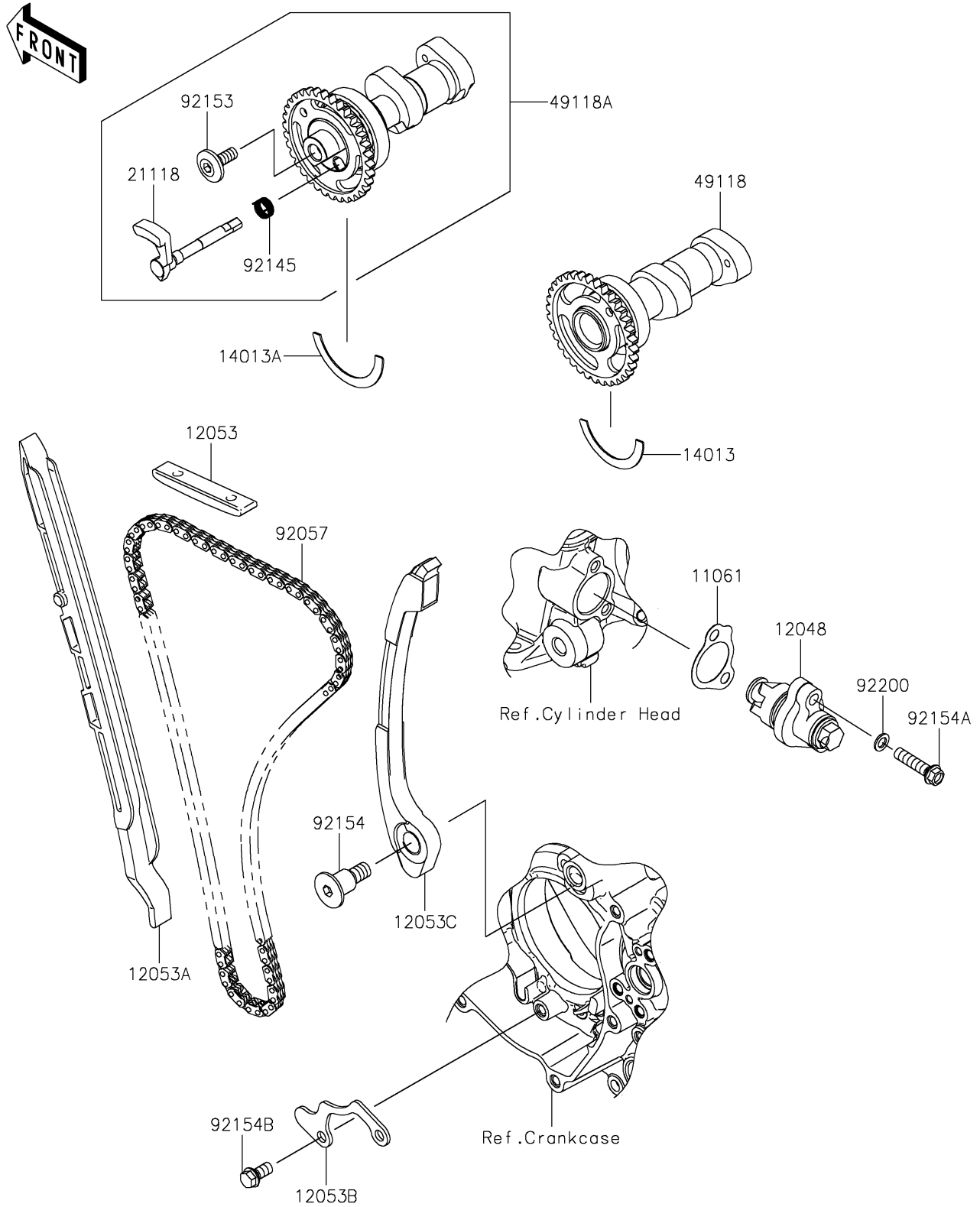


2021 KX™ 450 PARTS DIAGRAM

Camshaft(s)/Tensioner

E1230



2021 KX™ 450 PARTS LIST

Camshaft(s)/Tensioner

| ITEM NAME | PART NUMBER | QUANTITY |
|--|-------------|----------|
| GASKET (Ref # 11061) | 11061-1288 | 1 |
| TENSIONER-ASSY (Ref # 12048) | 12048-0088 | 1 |
| GUIDE-CHAIN,UPP (Ref # 12053) | 12053-0051 | 1 |
| GUIDE-CHAIN,FR (Ref # 12053A) | 12053-0256 | 1 |
| GUIDE-CHAIN,STOPPER (Ref # 12053B) | 12053-0257 | 1 |
| GUIDE-CHAIN,RR (Ref # 12053C) | 12053-0306 | 1 |
| RING-POSITION (Ref # 14013) | 14013-0003 | 1 |
| RING-POSITION (Ref # 14013A) | 14013-0004 | 1 |
| DECOMPRESSOR (Ref # 21118) | 21118-0026 | 1 |
| CAMSHAFT-COMP,INTAKE (Ref # 49118) | 49118-0991 | 1 |
| CAMSHAFT-COMP,EXHAUST (Ref # 49118A) | 49118-0992 | 1 |
| CHAIN,CAM,98XRH2010-126M (Ref # 92057) | 92057-0078 | 1 |
| SPRING,DECOMP (Ref # 92145) | 92145-0365 | 1 |
| BOLT,SOCKET,6X16 (Ref # 92153) | 92153-0918 | 1 |
| BOLT (Ref # 92154) | 92154-2944 | 1 |
| BOLT,FLANGED,6X25 (Ref # 92154A) | 92154-2967 | 2 |
| BOLT,FLANGED,6X12 (Ref # 92154B) | 92154-2975 | 1 |
| WASHER,6.1X10.0X1.0 (Ref # 92200) | 92200-0190 | 2 |