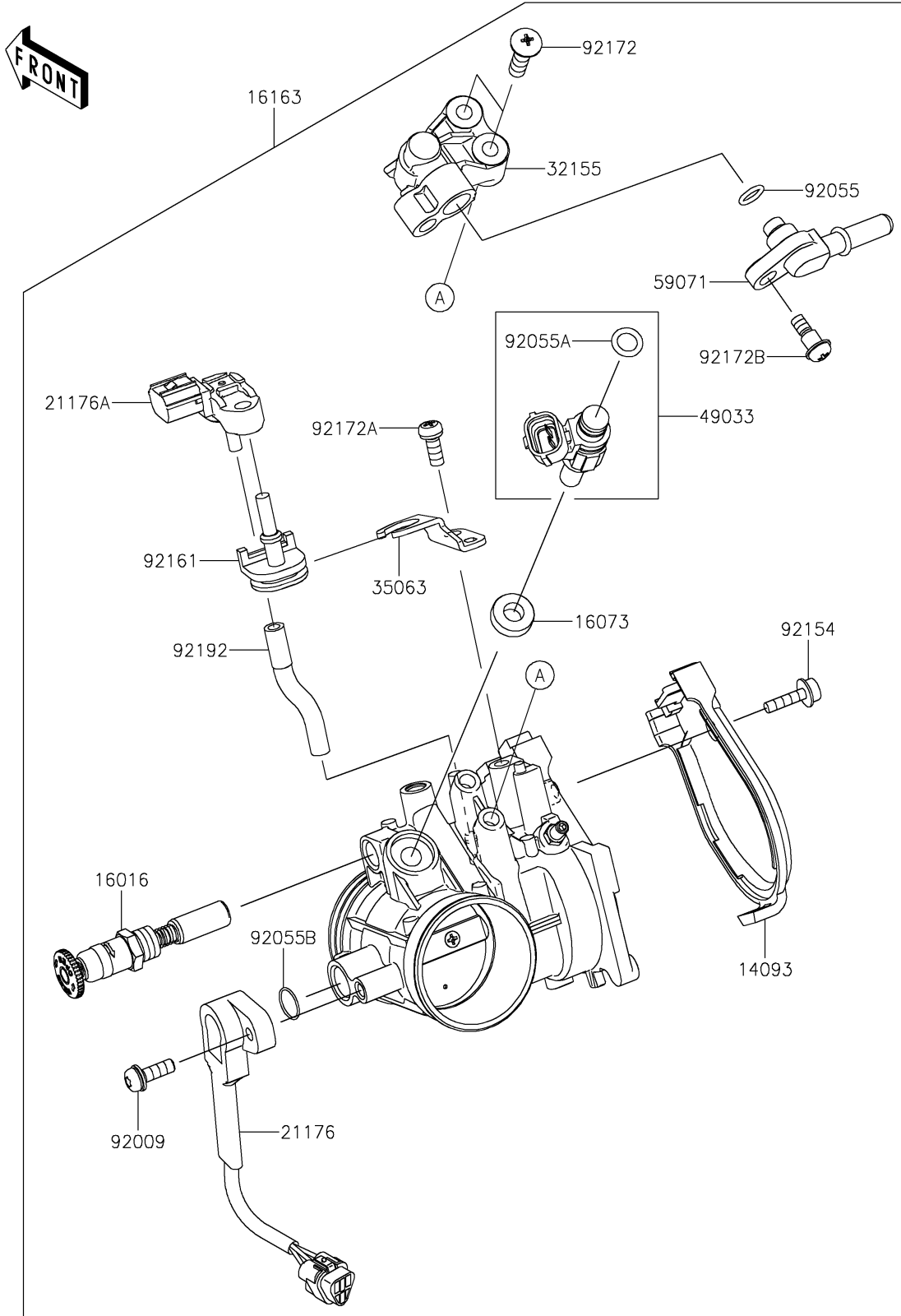


2023 KX™ 450 PARTS DIAGRAM

Throttle

E1510



2023 KX™ 450 PARTS LIST

Throttle

ITEM NAME	PART NUMBER	QUANTITY
-----------	-------------	----------