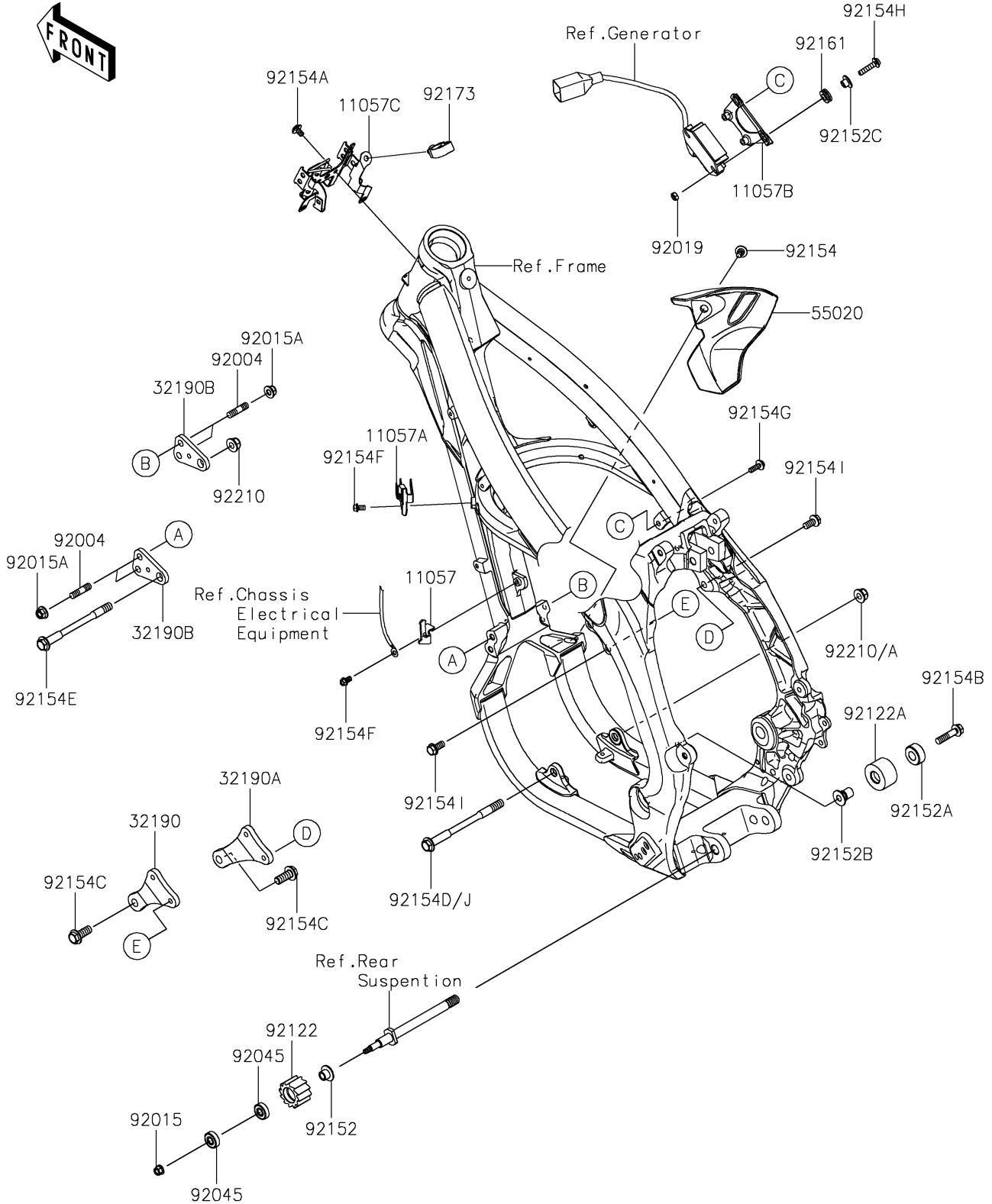


2021 KX™ 450 PARTS DIAGRAM

Frame Fittings

F2131



2021 KX™ 450 PARTS LIST

Frame Fittings

ITEM NAME	PART NUMBER	QUANTITY
BRACKET,VEHICLE DOWN SENSOR (Ref # 11057)	11057-1528	1
BRACKET,COUPLER (Ref # 11057A)	11057-1529	1
BRACKET,REGULATOR (Ref # 11057B)	11057-1531	1
BRACKET,ECU (Ref # 11057C)	11057-1557	1
BRACKET-ENGINE,UPP,LH (Ref # 32190)	32190-0771	1
BRACKET-ENGINE,UPP,RH (Ref # 32190A)	32190-0772	1
BRACKET-ENGINE,FR (Ref # 32190B)	32190-0783	2
GUARD (Ref # 55020)	55020-2213	1
STUD,8X18/16 (Ref # 92004)	92004-0789	4
NUT,LOCK,FLANGED,6MM (Ref # 92015)	92015-1339	1
NUT,8MM (Ref # 92015A)	92015-1432	4
NUT,LOCK,6MM (Ref # 92019)	92019-008	2
BEARING-BALL,608LLU/2A (Ref # 92045)	92045-0060	2
ROLLER,CHAIN GUIDE (Ref # 92122)	92122-0016	1
ROLLER,CHAIN (Ref # 92122A)	92122-0042	1
COLLAR (Ref # 92152)	92152-0459	1
COLLAR,12.7X27.2X12 (Ref # 92152A)	92152-0945	1
COLLAR,8.3X12.5X21.5 (Ref # 92152B)	92152-2460	1
COLLAR,6.5X10X8.5 (Ref # 92152C)	92152-2467	2
BOLT,FLANGED,6X9 (Ref # 92154)	92154-0546	1
BOLT,SOCKET,6X10 (Ref # 92154A)	92154-0774	2
BOLT,FLANGED,8X35 (Ref # 92154B)	92154-1746	1
BOLT,FLANGED,10X25 (Ref # 92154C)	92154-2747	2
BOLT,10X137 (Ref # 92154D)	92154-2940	1
BOLT,10X124 (Ref # 92154E)	92154-2941	1
BOLT,6X10 (Ref # 92154F)	92154-2963	2
BOLT,SOCKET,6X18,AL (Ref # 92154G)	92154-3774	2
BOLT,SOCKET,6X27,AL (Ref # 92154H)	92154-3775	2
BOLT,8X17 (Ref # 92154I)	92154-3881	4

2021 KX™ 450 PARTS LIST

Frame Fittings

ITEM NAME	PART NUMBER	QUANTITY
DAMPER,10X18X6.5 (Ref # 92161)	92161-2091	2
CLAMP (Ref # 92173)	92173-0861	1
NUT,LOCK,FLANGED,10MM (Ref # 92210)	92210-1080	2