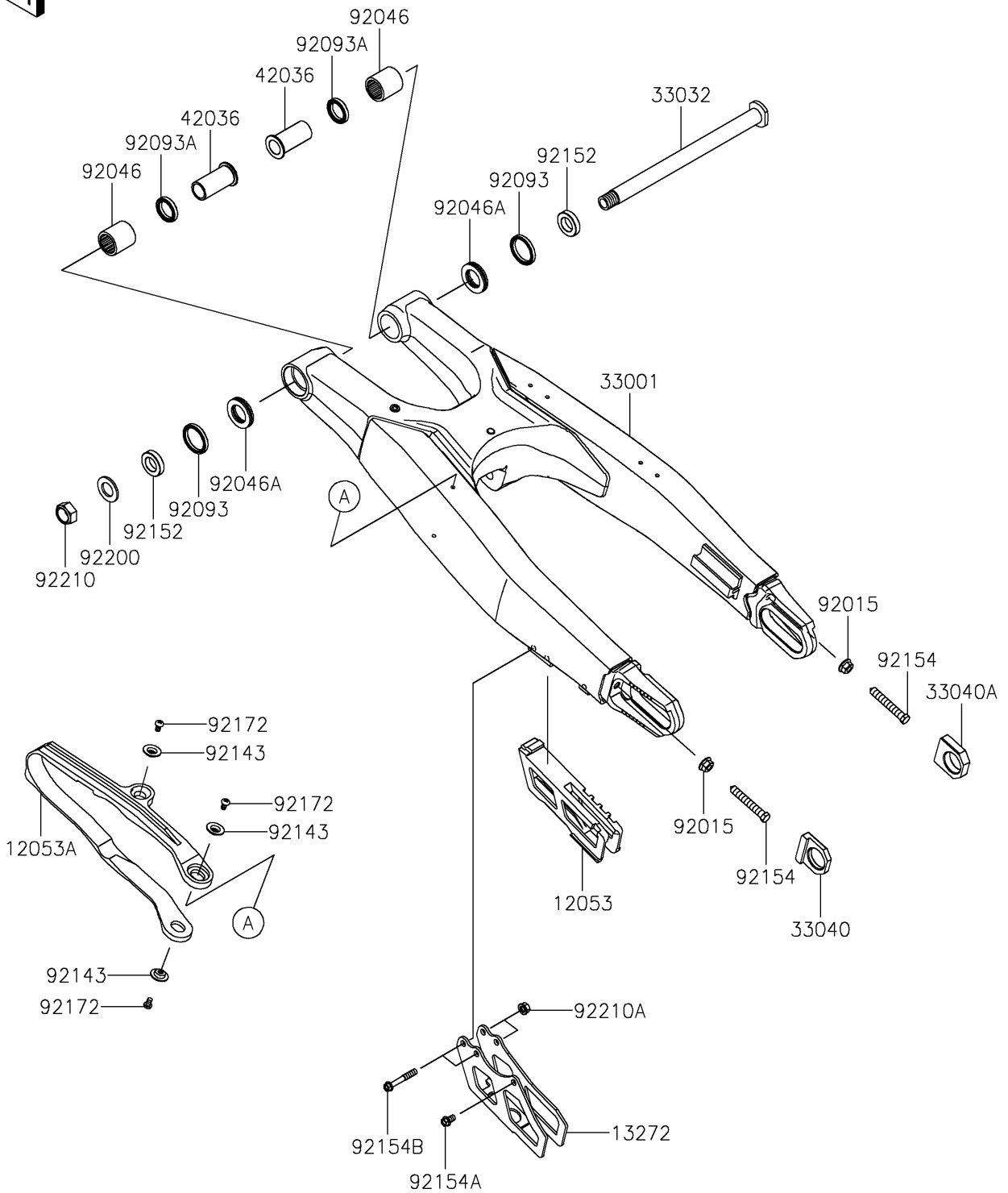


2023 KX™ 450 PARTS DIAGRAM

Swingarm

F2141



2023 KX™ 450 PARTS LIST

Swingarm

| ITEM NAME | PART NUMBER | QUANTITY |
|-----------|-------------|----------|
|-----------|-------------|----------|