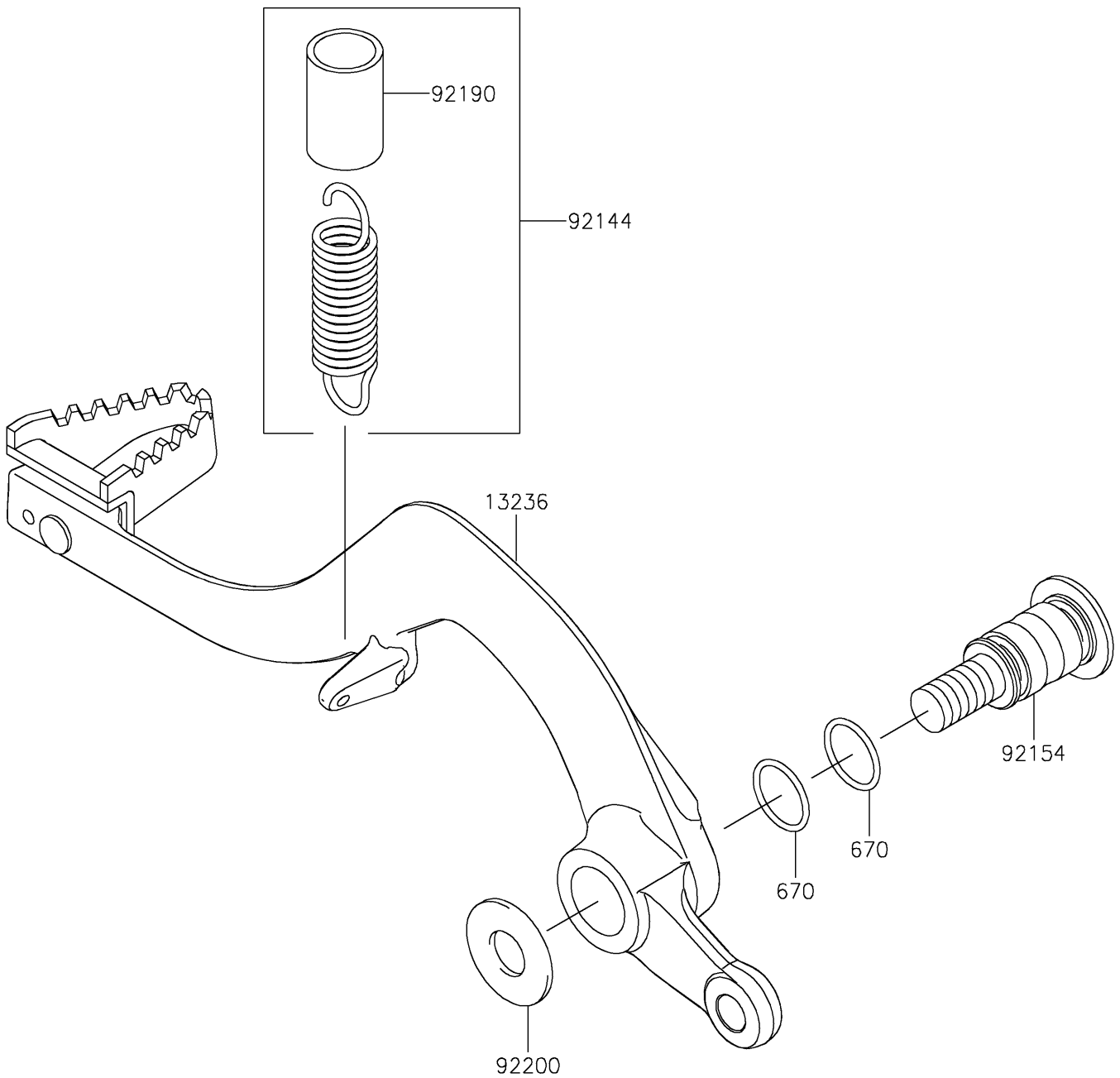


2023 KX™ 450 PARTS DIAGRAM

Brake Pedal

F2260



2023 KX™ 450 PARTS LIST

Brake Pedal

| ITEM NAME | PART NUMBER | QUANTITY |
|---|-------------|----------|
| LEVER-COMP,BRAKE PEDAL (Ref # 13236) | 13236-0838 | 1 |
| SPRING,BRAKE PEDAL RETURN (Ref # 92144) | 92144-1752 | 1 |
| BOLT,BRAKE PEDAL,10MM (Ref # 92154) | 92154-0516 | 1 |
| TUBE,13X16X25 (Ref # 92190) | 92190-1488 | 1 |
| WASHER,10.5X24X1.5 (Ref # 92200) | 92200-0154 | 1 |
| O RING,12MM (Ref # 670) | 670B2012 | 2 |