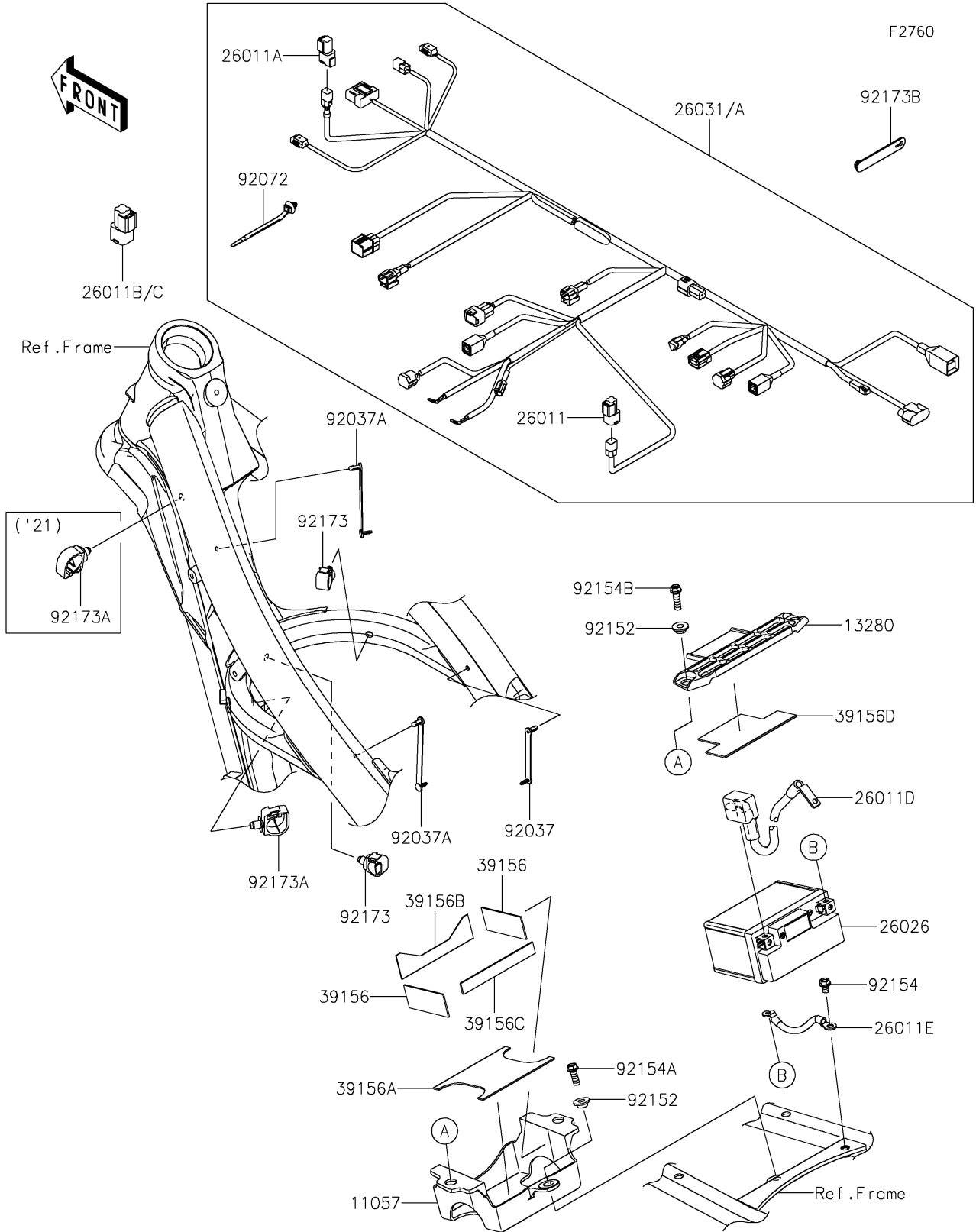


2023 KX™ 450 PARTS DIAGRAM

Chassis Electrical Equipment



2023 KX™ 450 PARTS LIST

Chassis Electrical Equipment

ITEM NAME	PART NUMBER	QUANTITY
-----------	-------------	----------