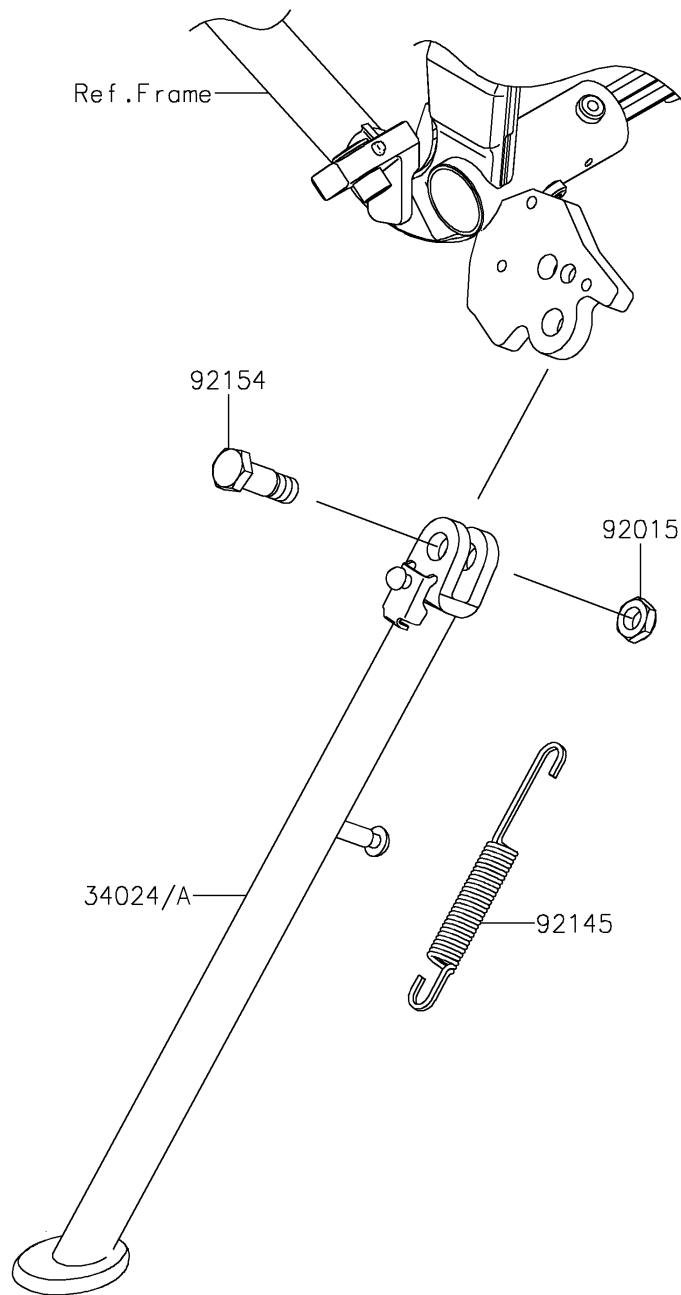


# 2023 KLX<sup>®</sup>300 PARTS DIAGRAM

Stand(s)

F2190



## 2023 KLX®300 PARTS LIST

Stand(s)

ITEM NAME	PART NUMBER	QUANTITY
STAND-SIDE,P.SILVER (Ref # 34024A)	34024-0167-458	1
NUT,LOCK,10MM,BLACK (Ref # 92015)	92015-1188	1
SPRING,SIDE STAND (Ref # 92145)	92145-0085	1
BOLT,SIDE STAND (Ref # 92154)	92154-0412	1