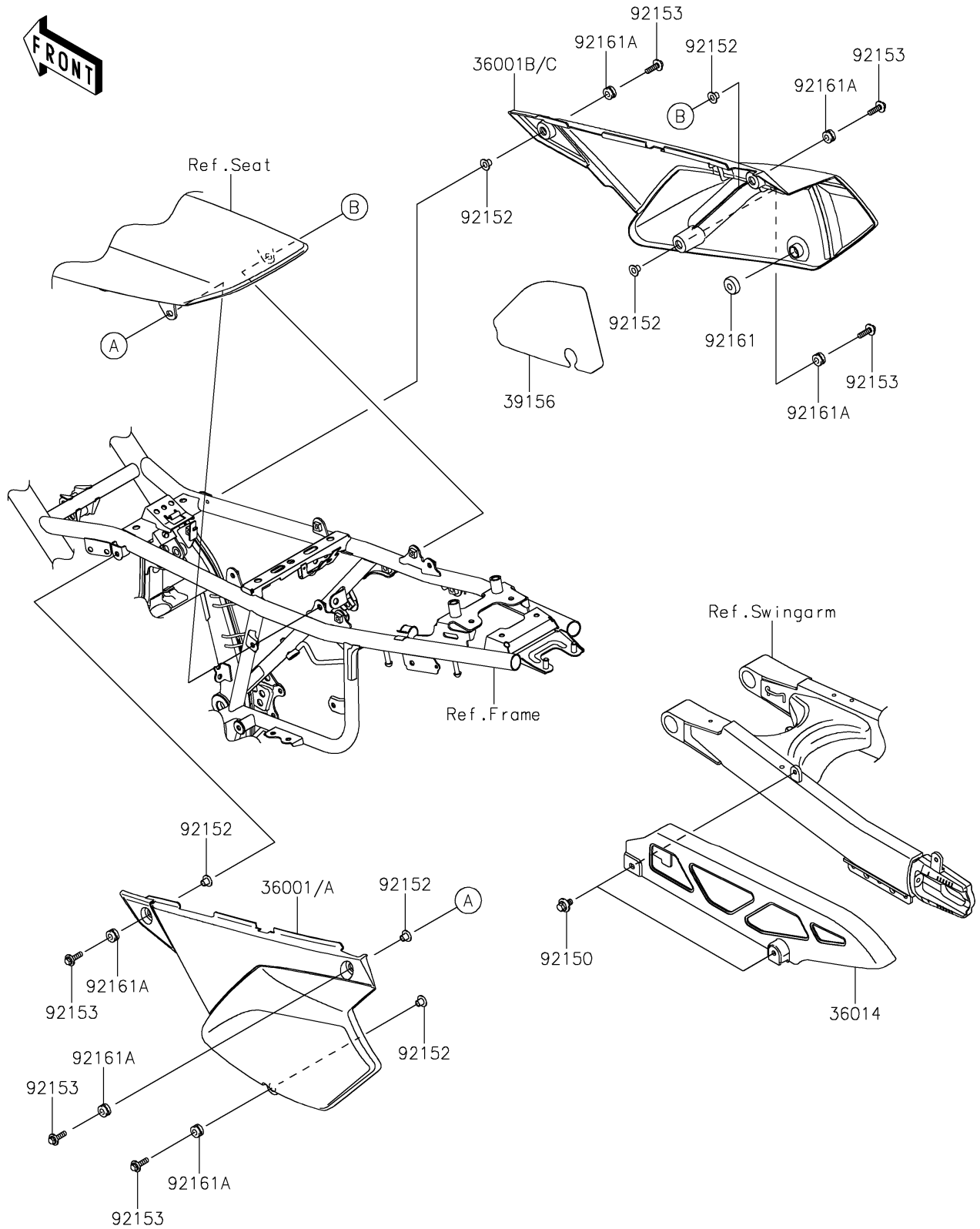


# 2023 KLX®300 PARTS DIAGRAM

## Side Covers/Chain Cover

F2610



## 2023 KLX®300 PARTS LIST

### Side Covers/Chain Cover

| ITEM NAME                             | PART NUMBER    | QUANTITY |
|---------------------------------------|----------------|----------|
| COVER-SIDE,LH,B.WHITE (Ref # 36001)   | 36001-0173-266 | 1        |
| COVER-SIDE,LH,C.C.GRAY (Ref # 36001A) | 36001-0173-63G | 1        |
| COVER-SIDE,RH,B.WHITE (Ref # 36001B)  | 36001-0175-266 | 1        |
| COVER-SIDE,RH,C.C.GRAY (Ref # 36001C) | 36001-0175-63G | 1        |
| CASE-CHAIN (Ref # 36014)              | 36014-0050     | 1        |
| PAD,SIDE COVER,RH (Ref # 39156)       | 39156-0198     | 1        |
| BOLT,6X12 (Ref # 92150)               | 92150-1435     | 2        |
| COLLAR,6.3X8.3X9.2 (Ref # 92152)      | 92152-0237     | 6        |
| BOLT,FLANGED,6X22 (Ref # 92153)       | 92153-0950     | 6        |
| DAMPER (Ref # 92161)                  | 92161-0605     | 1        |
| DAMPER,8X16X8.6 (Ref # 92161A)        | 92161-0685     | 6        |