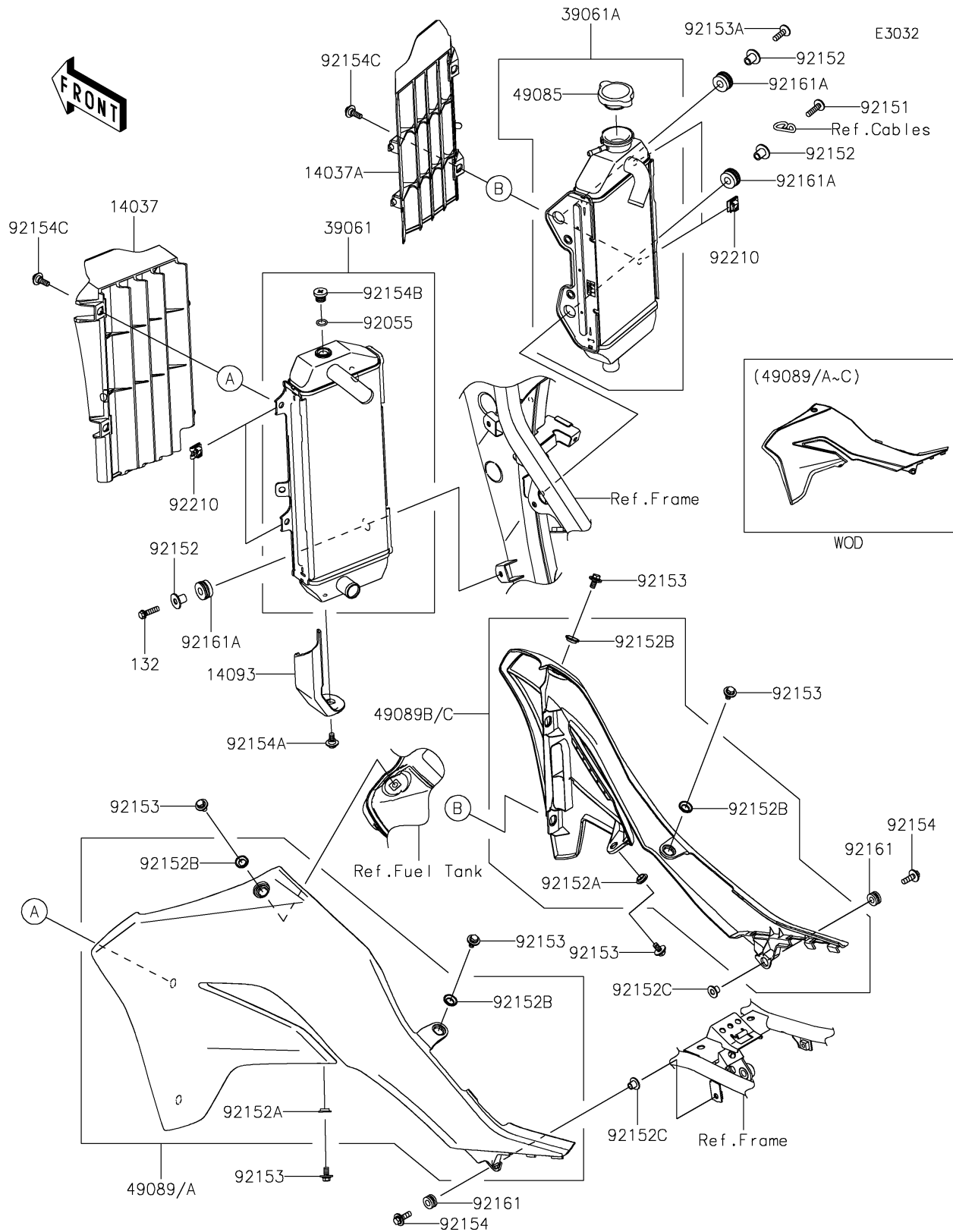


2024 KLX® 300R PARTS DIAGRAM

Radiator



2024 KLX®300R PARTS LIST

Radiator

ITEM NAME	PART NUMBER	QUANTITY
SCREEN,LH,BLACK (Ref # 14037)	14037-0775-6Z	1
SCREEN,RH,BLACK (Ref # 14037A)	14037-0776-6Z	1
COVER,RADIATOR (Ref # 14093)	14093-0903	1
RADIATOR-ASSY,LH (Ref # 39061)	39061-0779	1
RADIATOR-ASSY,RH (Ref # 39061A)	39061-0780	1
CAP-ASSY-PRESSURE (Ref # 49085)	49085-0006	1
SHROUD-ENGINE,LH,L.GREEN (Ref # 49089)	49089-0979-290	1
SHROUD-ENGINE,LH,B.GRAY (Ref # 49089A)	49089-0979-67A	1
SHROUD-ENGINE,RH,L.GREEN (Ref # 49089B)	49089-0980-290	1
SHROUD-ENGINE,RH,B.GRAY (Ref # 49089C)	49089-0980-67A	1
RING-O (Ref # 92055)	92055-0866	1
BOLT,SOCKET,6X25 (Ref # 92151)	92151-1611	1
COLLAR (Ref # 92152)	92152-0666	4
COLLAR,8.8X11.2X4 (Ref # 92152A)	92152-0909	2
COLLAR (Ref # 92152B)	92152-1235	4
COLLAR,6.3X8.3X9.2 (Ref # 92152C)	92152-1671	2
BOLT,6X12 (Ref # 92153)	92153-0503	6
BOLT,SOCKET,6X22 (Ref # 92153A)	92153-0574	1
BOLT,FLANGED,6X20 (Ref # 92154)	92154-0392	2
BOLT,FLANGED,6X9 (Ref # 92154A)	92154-0546	1
BOLT,AIR VENT (Ref # 92154B)	92154-1738	1
BOLT,FLANGED,6X28 (Ref # 92154C)	92154-1739	4
DAMPER,8X16X8.6 (Ref # 92161)	92161-0685	2
DAMPER (Ref # 92161A)	92161-1950	4
NUT,CLIP,6MM (Ref # 92210)	92210-0867	4
BOLT-FLANGED-SMALL,6X22 (Ref # 132)	132BA0622	2